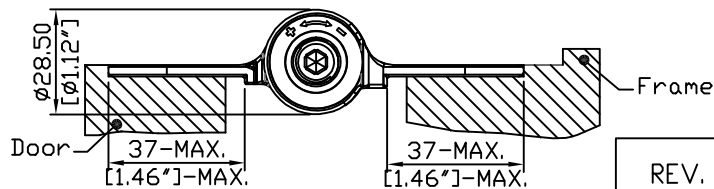
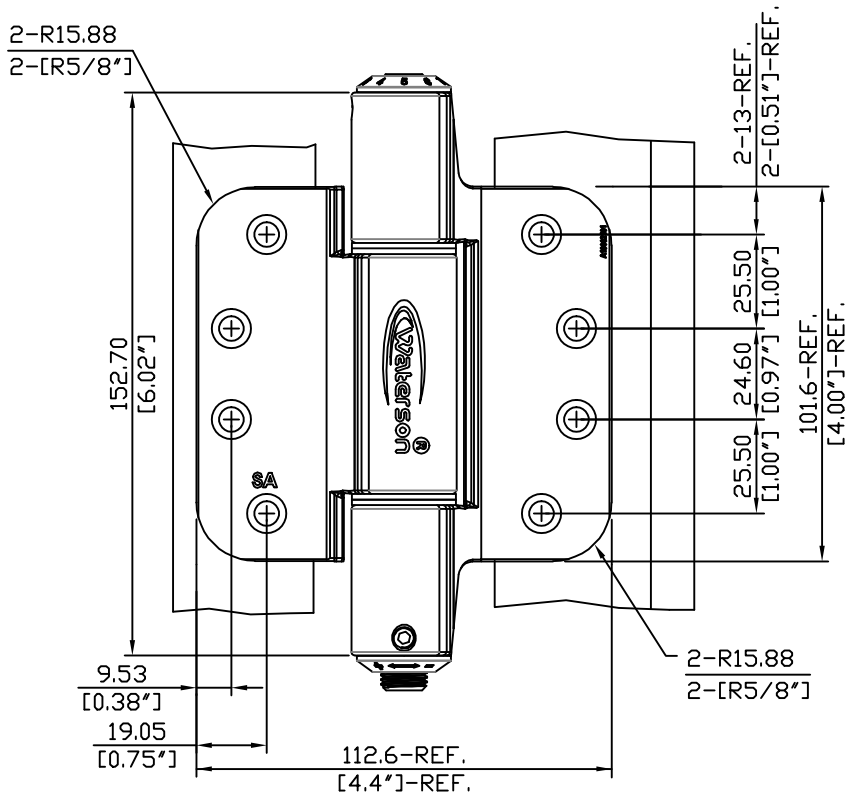
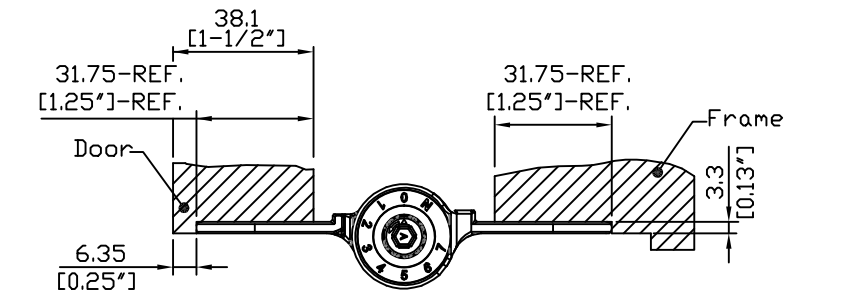
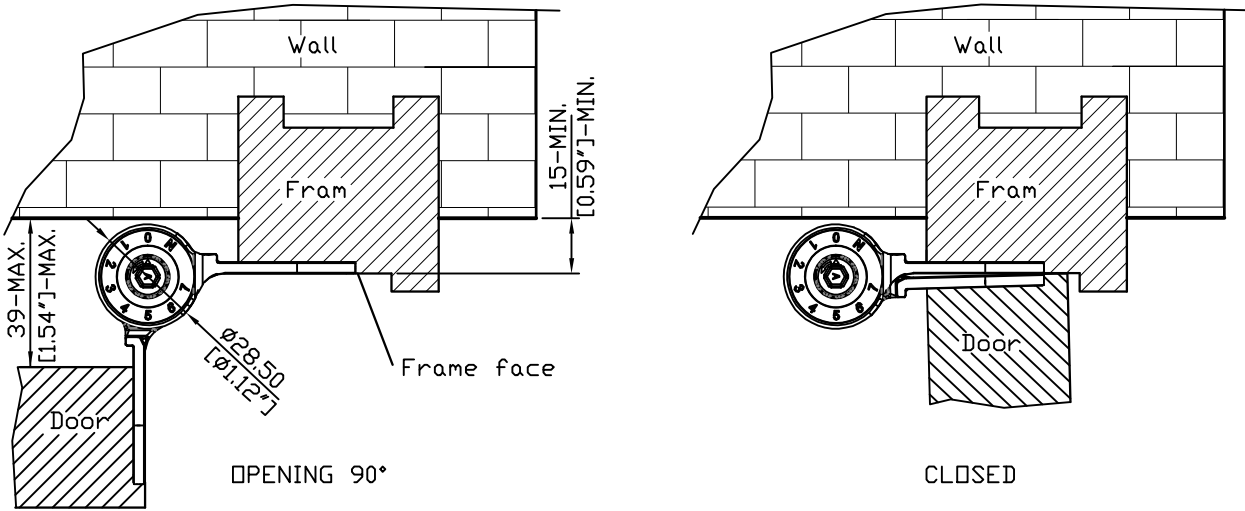


ANGULAR RANGE : OPENING 90°~CLOSED



Units: mm

REV. DATE	2019-AUG-19
-----------	-------------



3in1 Auto Door-Closer Hinge
Hinge@waterson.com

NAME:
3in1 Auto Door-Closer Hinge

Material:
304 Stainless steel

Pivot Height:
(3 KNUCKLES)

Template Size:
4"(H)x4"(W)-R5/8"

Standard:
ANSI A156.7

Model NO.:
400131

Serial NO.:
K51M

Door thickness:
38.1mm (1-1/2")