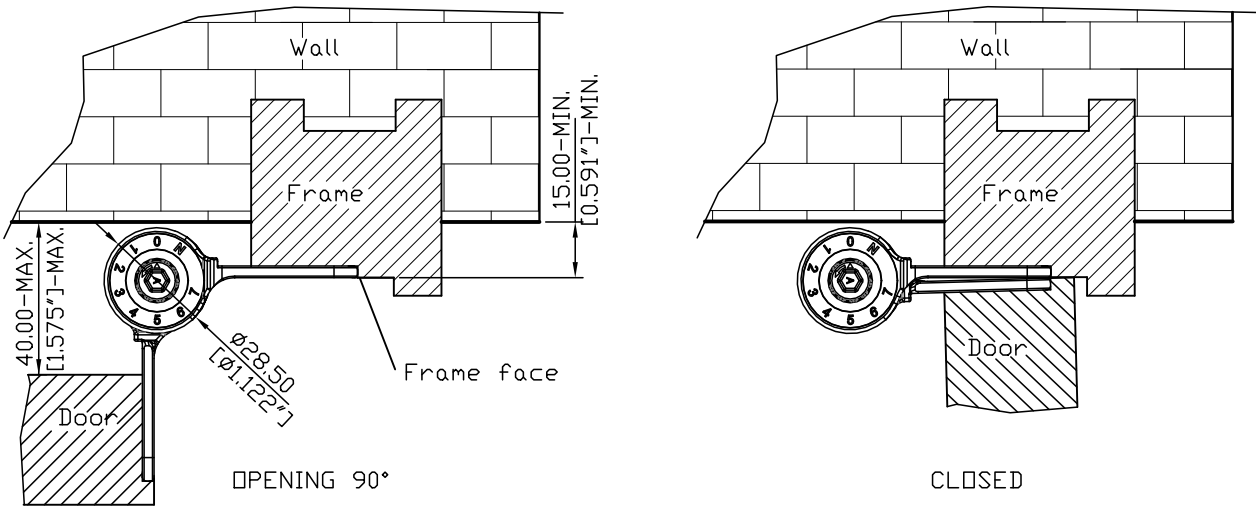
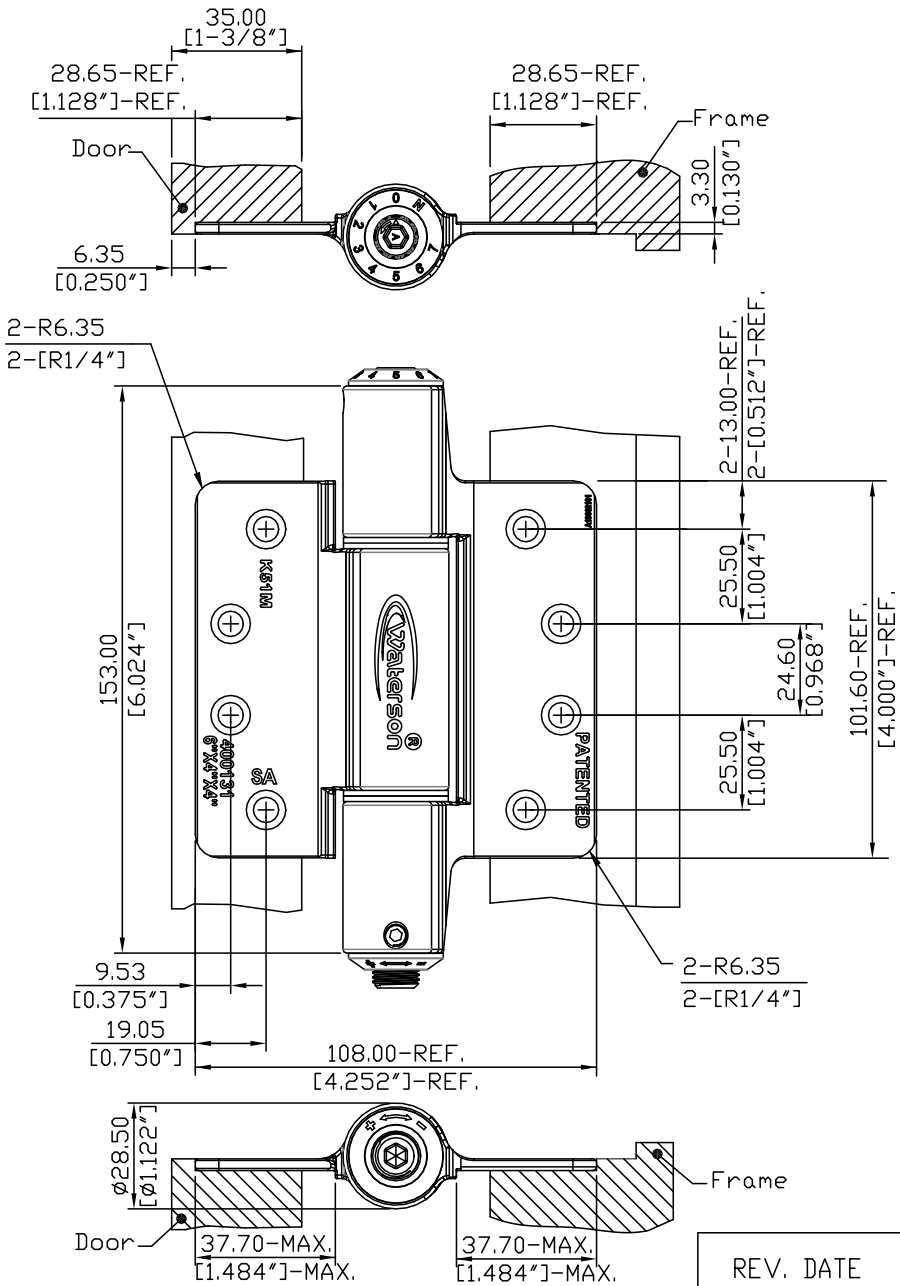


ANGULAR RANGE : OPENING 90°~CLOSED



OPENING 90°

CLOSED



Units: mm

REV. DATE 2020-JUN-29



Waterson Closer Hinge System
Hinges@watersonusa.com

NAME:
3in1 Waterson Closer Hinge System

Pivot Height:
6"

Model NO.:
400131

Material:
304 Stainless steel

Template Size:
4"(H)x4"(W)-R1/4"

Serial NO.:
K51M

Standard:
ANSI A156.7

Door thickness:
35mm (1-3/8")