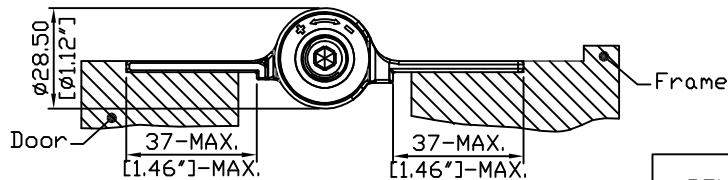
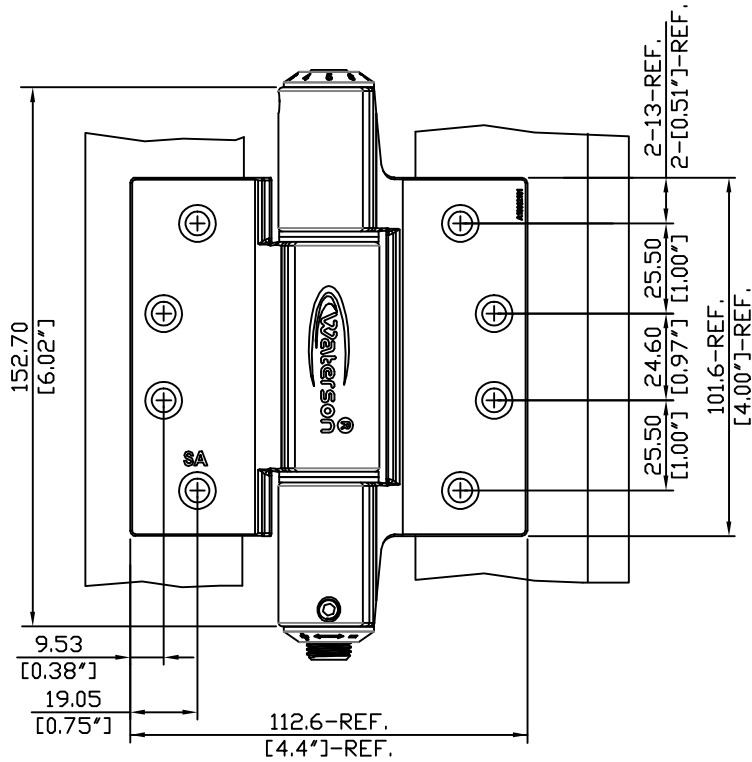
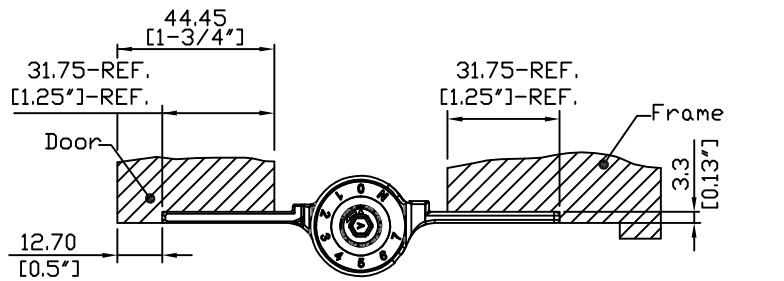
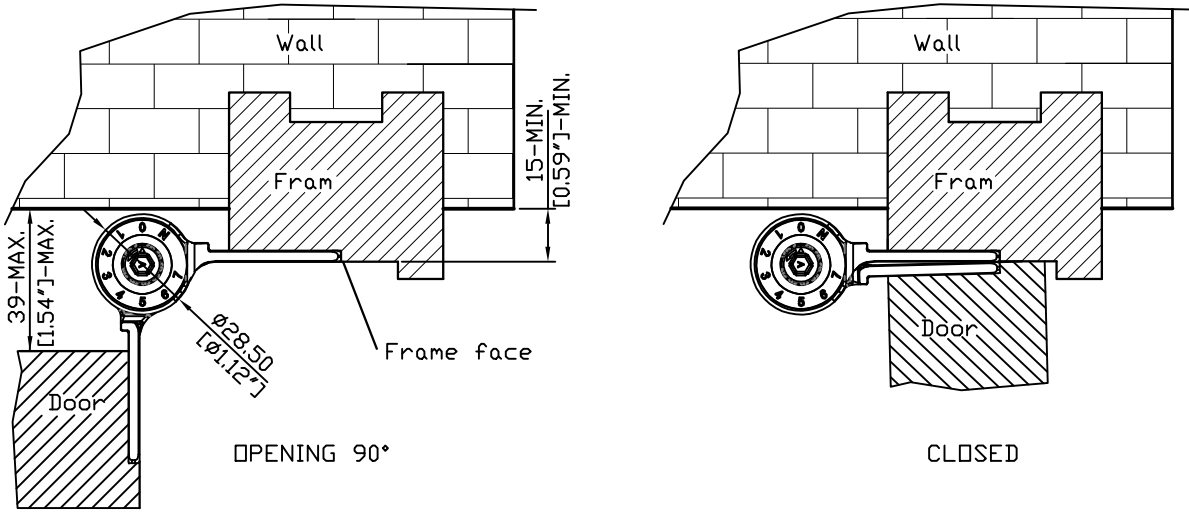


ANGULAR RANGE : OPENING 90°~CLOSED



Units: mm

REV. DATE	2019-JUL-18
-----------	-------------



3in1 Auto Door-Closer Hinge
Hinge@waterson.com

NAME:
3in1 Auto Door-Closer Hinge

Material:
304 Stainless steel

Pivot Height:
(3 KNUCKLES)

Template Size:
4"(H)x4"(W)

Standard:
ANSI A156.7

Model NO.:

400131

Serial NO.:

K51M

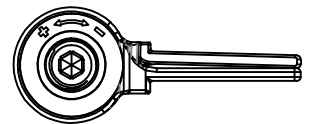
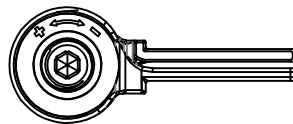
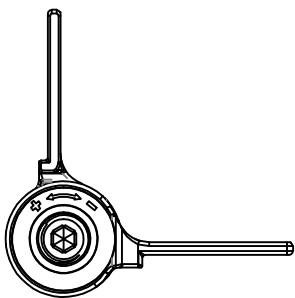
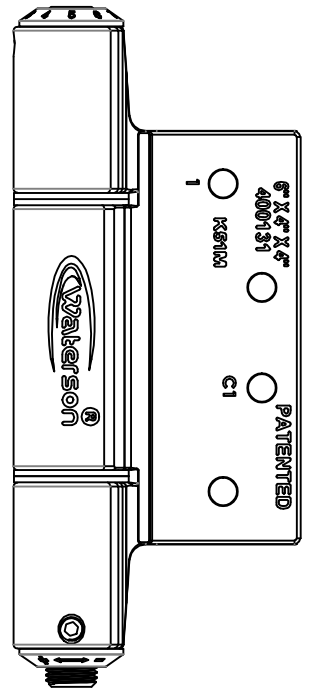
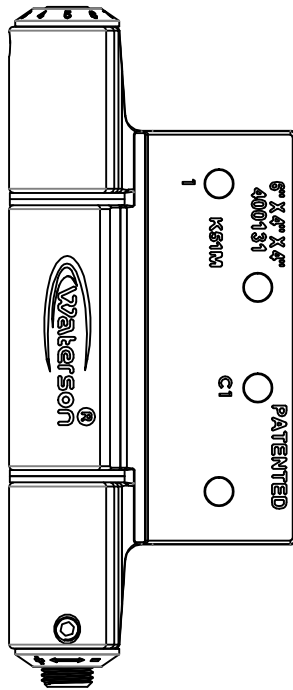
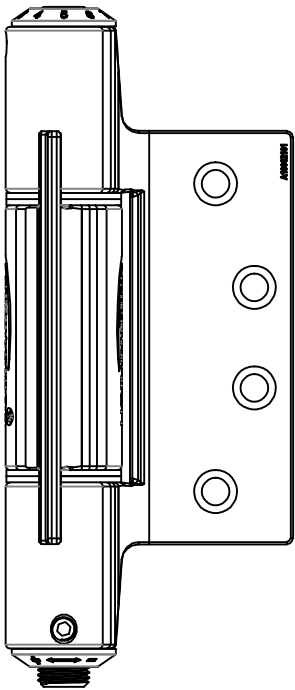
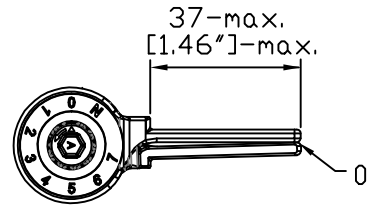
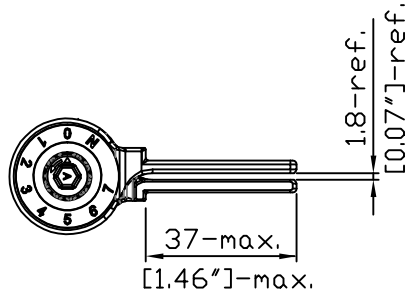
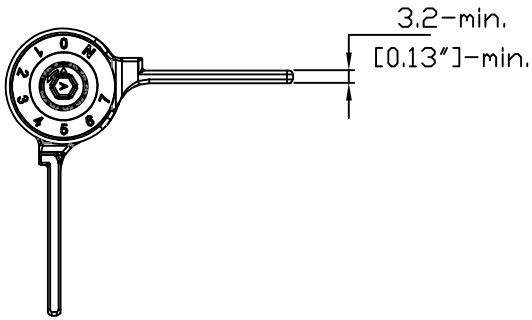
Door thickness:
44.45mm (1-3/4")

K51M-400
(4H*4W)

DOOR OPENING (90 DEGREE)

DOOR CLOSED (0 DEGREE)

DOOR CLOSED (FULLY)



DATE:2019-JUL-17

K51M-6-4-4

DOOR OPENING (90 DEGREE)

DOOR CLOSED

