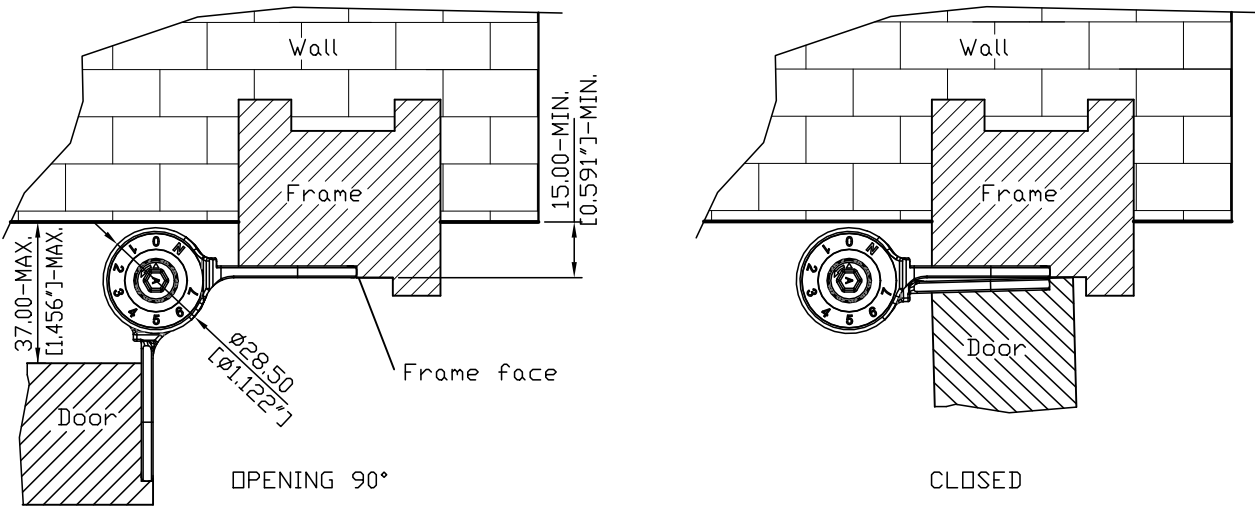
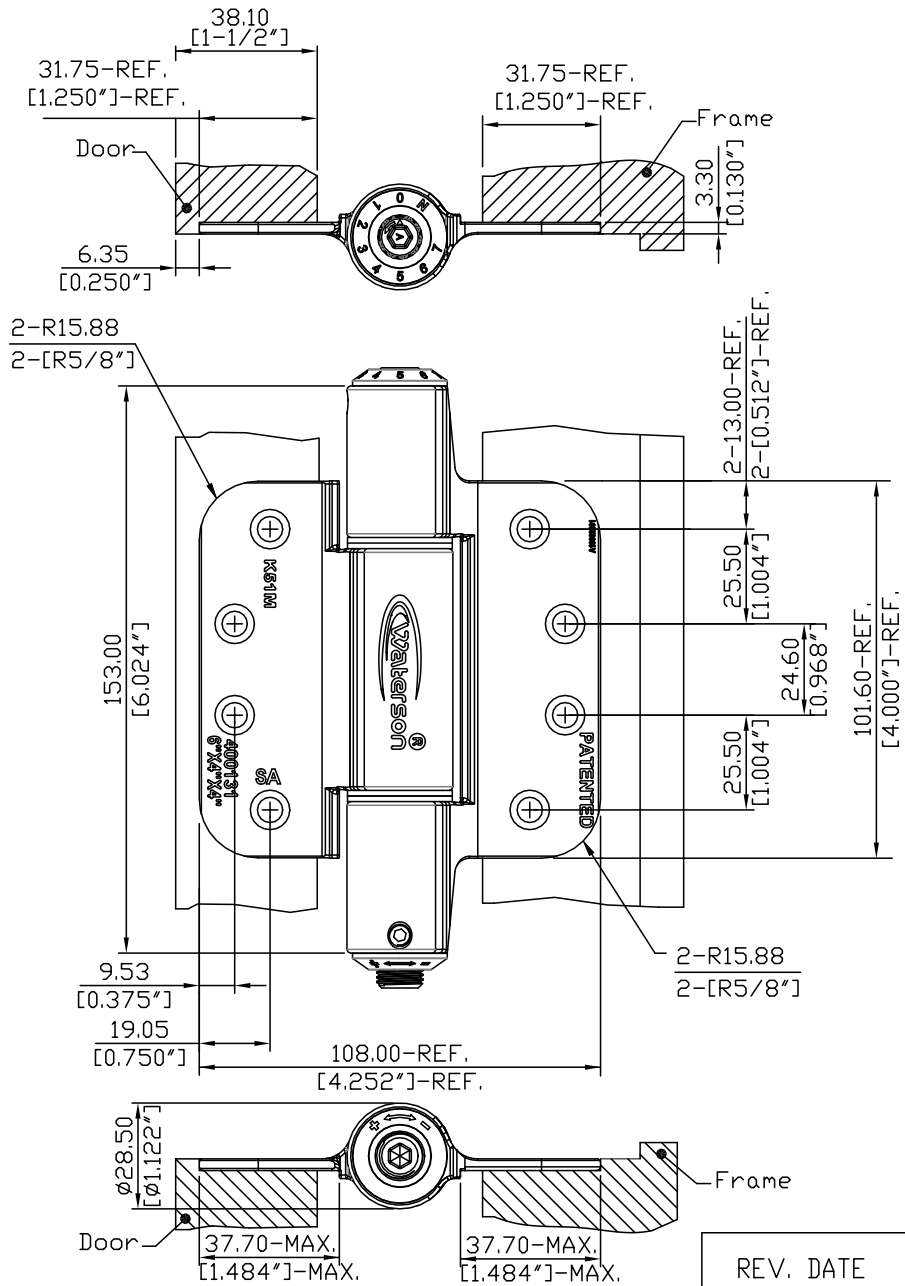


ANGULAR RANGE : OPENING 90°~CLOSED



OPENING 90°

CLOSED



Units: mm

REV. DATE	2020-JUN-29
-----------	-------------



Waterson Closer Hinge System  
Hinges@watersonusa.com

NAME: 3in1 Waterson Closer Hinge System	
Pivot Height: 6"	Template Size: 4"(H)×4"(W)-R5/8"
Model NO.:	Serial NO.:
400131	K51M

Material: 304 Stainless steel	
Standard:	ANSI A156.7
Door thickness:	38.1mm (1-1/2")