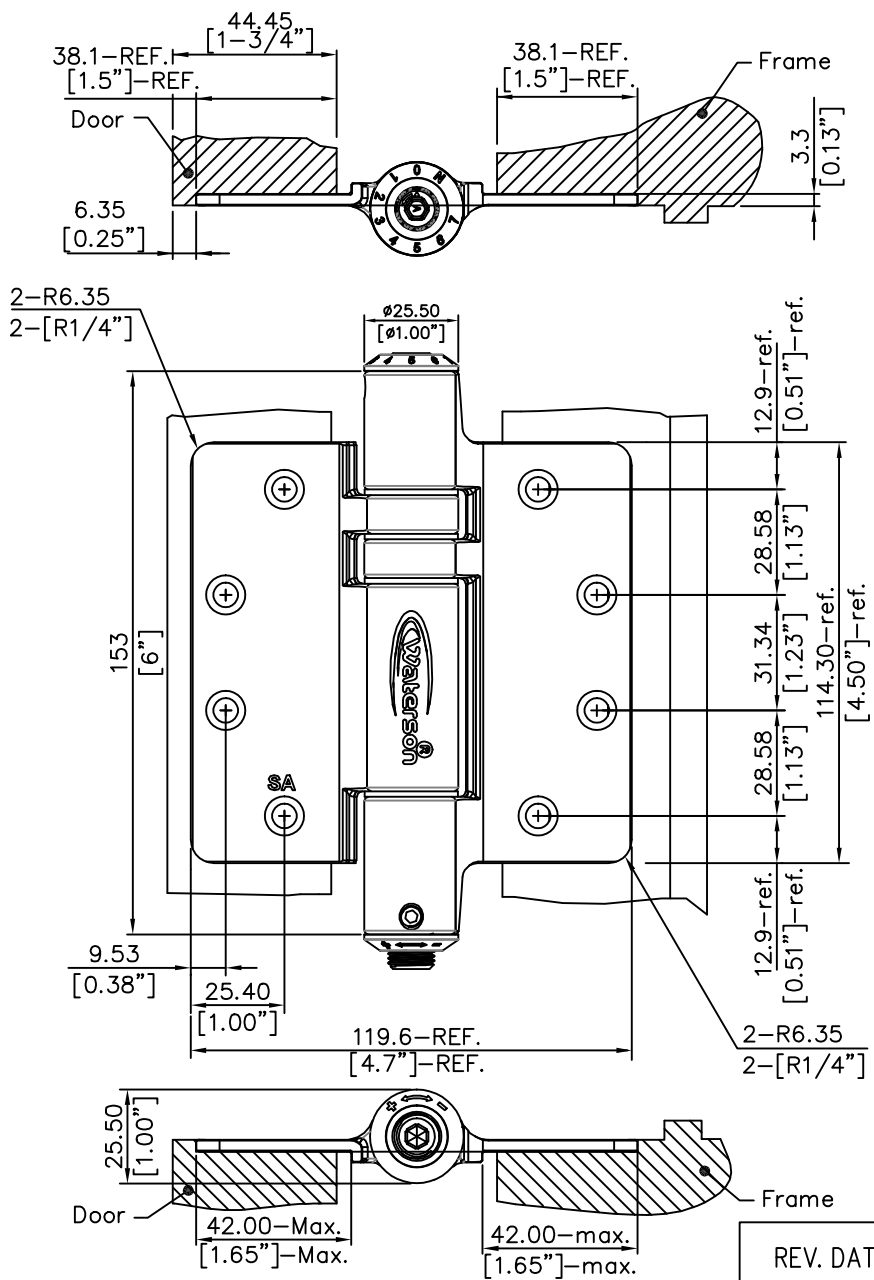
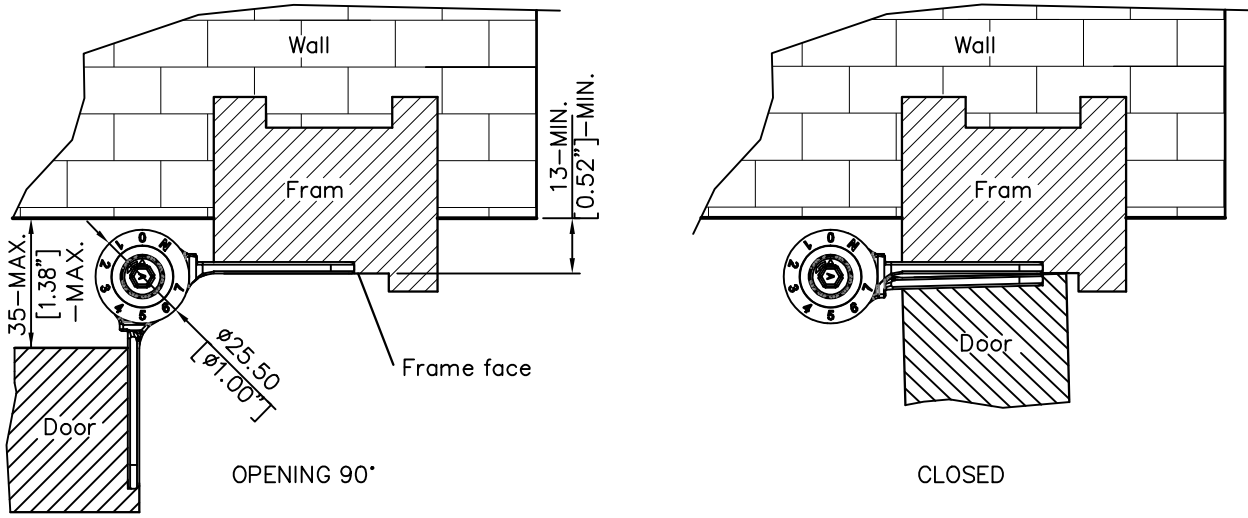


ANGULAR RANGE : OPENING 90°~CLOSED



Units: mm

REV. DATE	2019-AUG-20
-----------	-------------



3in1 Auto Door-Closer Hinge
Hinge@waterson.com

NAME:
3in1 Auto Door-Closer Hinge

Material:
SUS 304 Stainless steel

Pivot Height:
(5 KNUCKLES)

Template Size:
4.5\"(H)x4.5\"(W)-R1/4\"

Standard:
ANSI A156.7

Model NO.:
450131

Serial NO.:
K51M

Door thickness:
44.45mm (1-3/4\"")