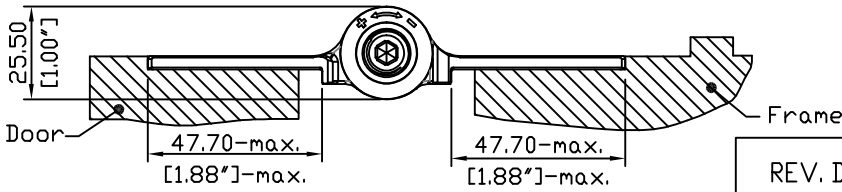
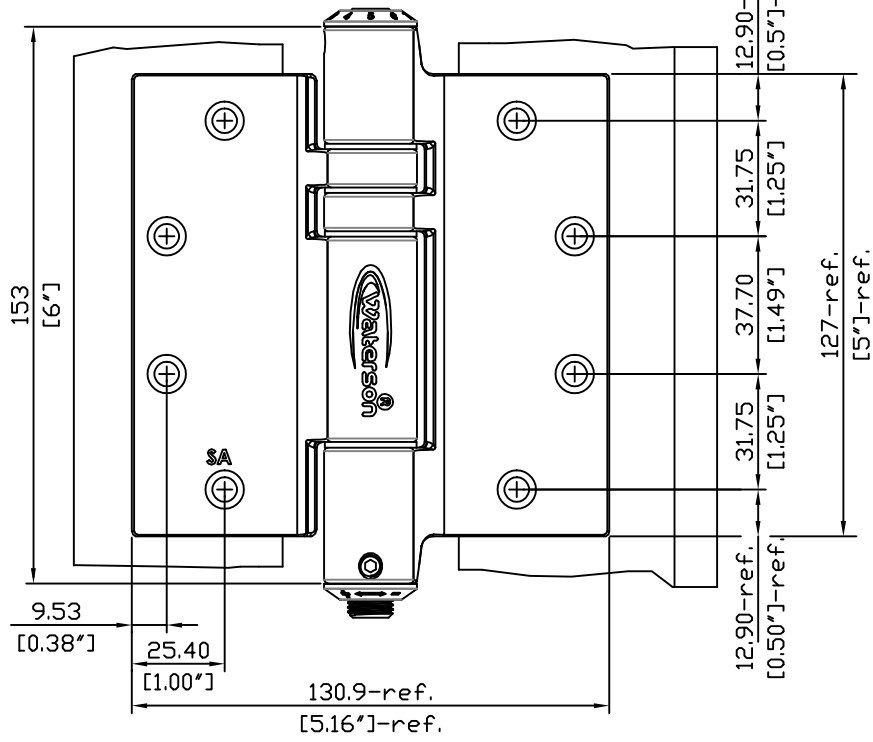
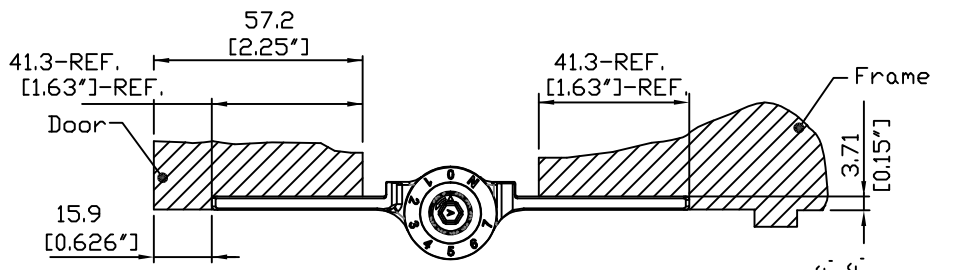
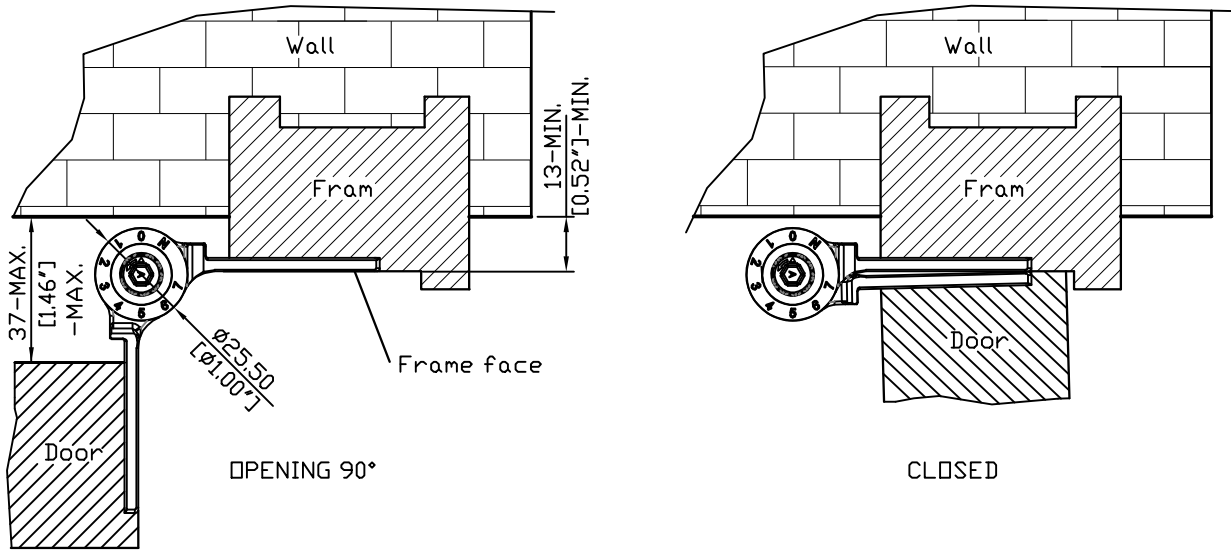


ANGULAR RANGE : OPENING 90°~CLOSED



Units: mm

REV. DATE

2019-JUL-30



3in1 Auto Door-Closer Hinge
Hinge@waterson.com

NAME:
3in1 Auto Door-Closer Hinge

Material:
SUS 304 Stainless steel

Pivot Height:
(5 KNUCKLES)

Template Size:
5"(H)x5"(W)

Standard:
ANSI A156.7

Model NO.:

500141

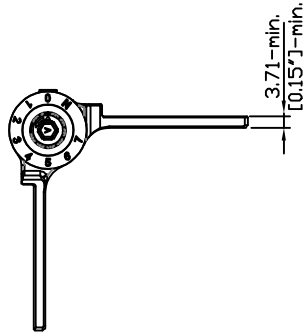
Serial NO.:

K51M

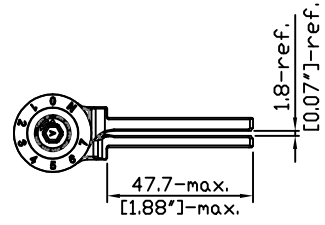
Door thickness:
57.2mm (2.25")

K51M-500 (5H*5W-3.71 t)

DOOR OPENING (90 DEGREE)



DOOR CLOSED (0 DEGREE)



DOOR CLOSED (FULLY)

