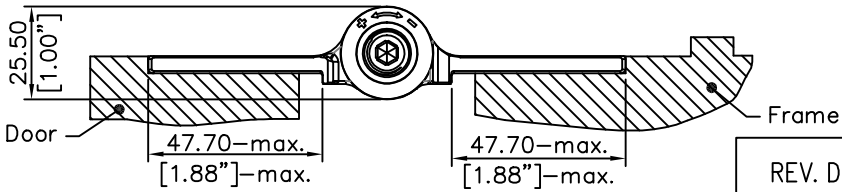
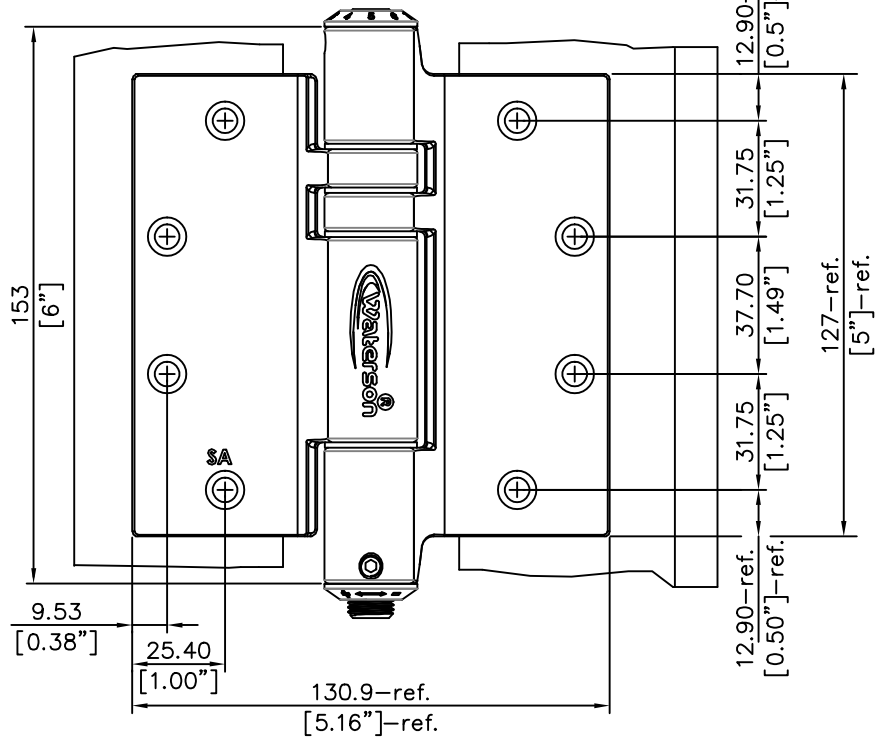
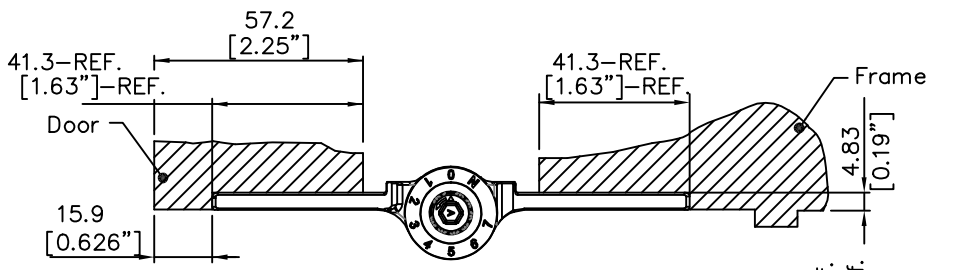
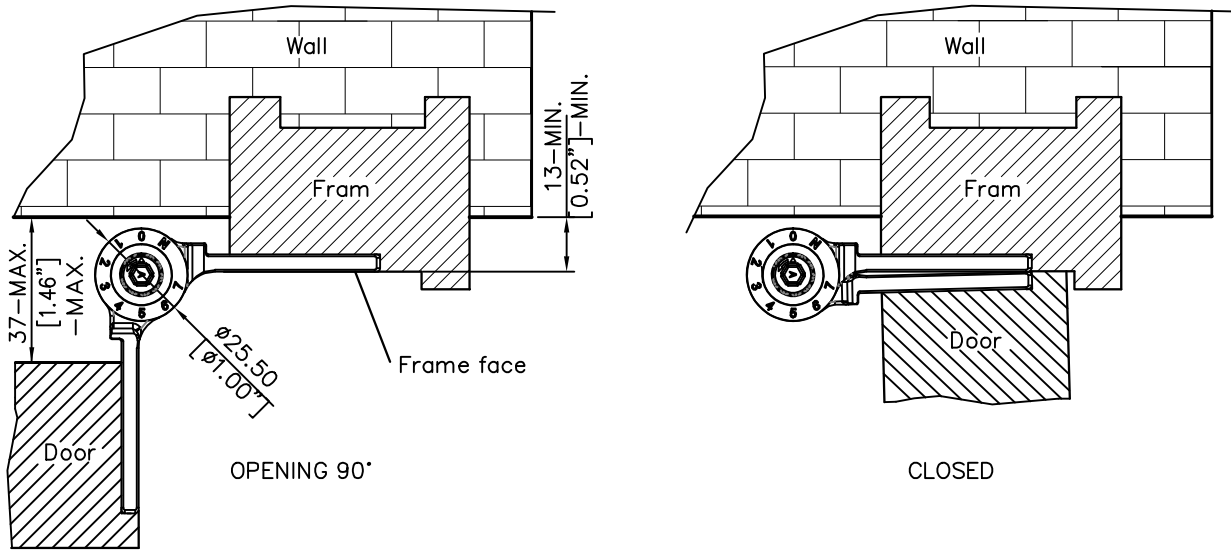


ANGULAR RANGE : OPENING 90°~CLOSED



Units: mm

REV. DATE

2019-JUN-18



3in1 Auto Door-Closer Hinge  
Hinge@waterson.com

NAME:  
3in1 Auto Door-Closer Hinge

Pivot Height:  
(5 KNUCKLES)

Model NO.:  
500151

Material:  
SUS 304 Stainless steel

Template Size:  
5"(H)x5"(W)

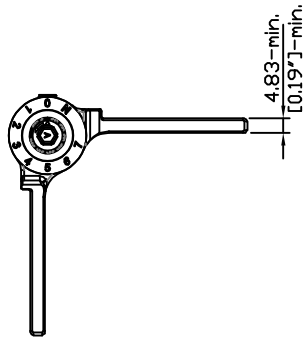
Serial NO.:  
K51M

Standard:  
ANSI A156.7

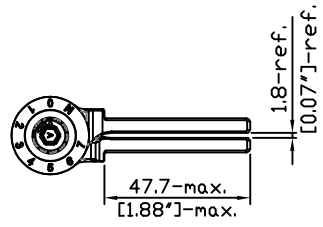
Door thickness:  
57.2mm (2.25")

K51M-500  
 (5H\*5W-4.83 t)

DOOR OPENING (90 DEGREE)



DOOR CLOSED (0 DEGREE)



DOOR CLOSED (FULLY)

