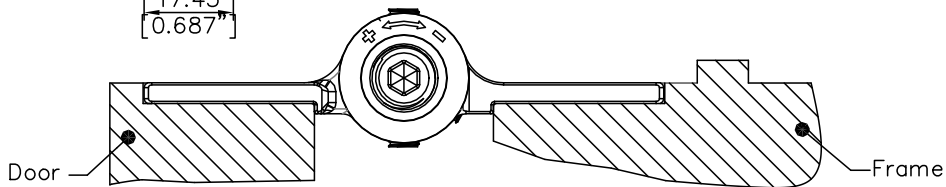
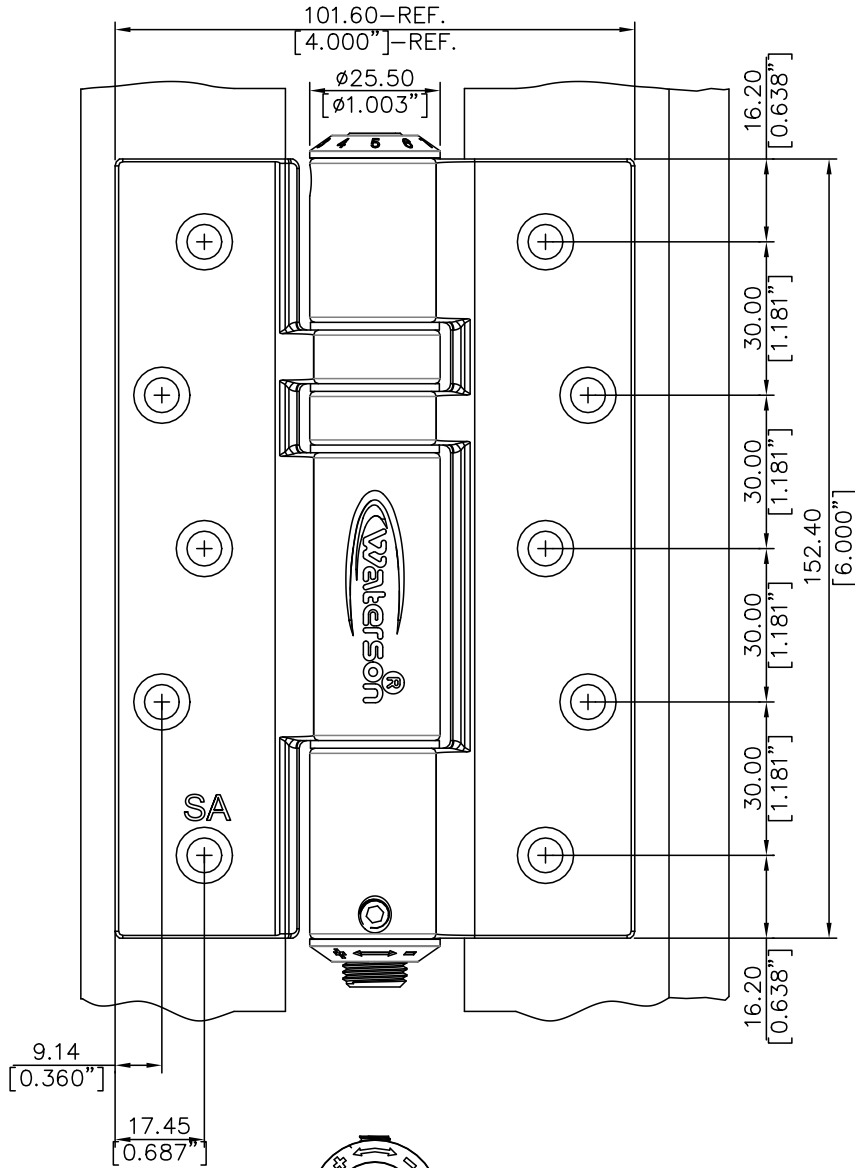
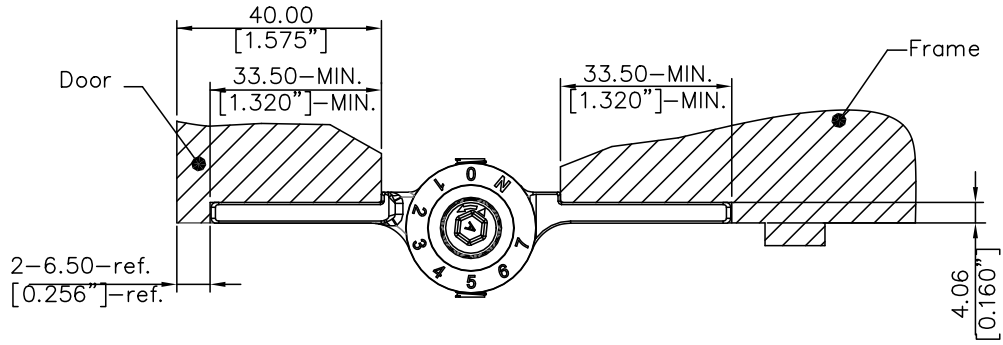


BASE LINE



UNITS: mm

REV. DATE

2020-APR-29



Waterson Closer Hinge System  
Hinges@watersonusa.com

NAME:  
3in1 Waterson Closer Hinge System

Pivot Height:  
6"

Model NO.:  
640141

Material:  
304 Stainless steel

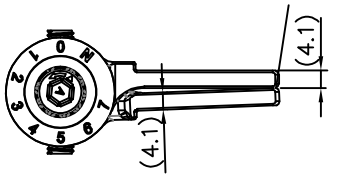
Template Size:  
6"(H)x4"(W)

Serial NO.:  
K51M

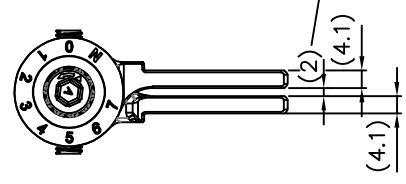
Standard:  
-

Door thickness:  
40mm

Fully closed position



0° closed position



90° opened position

