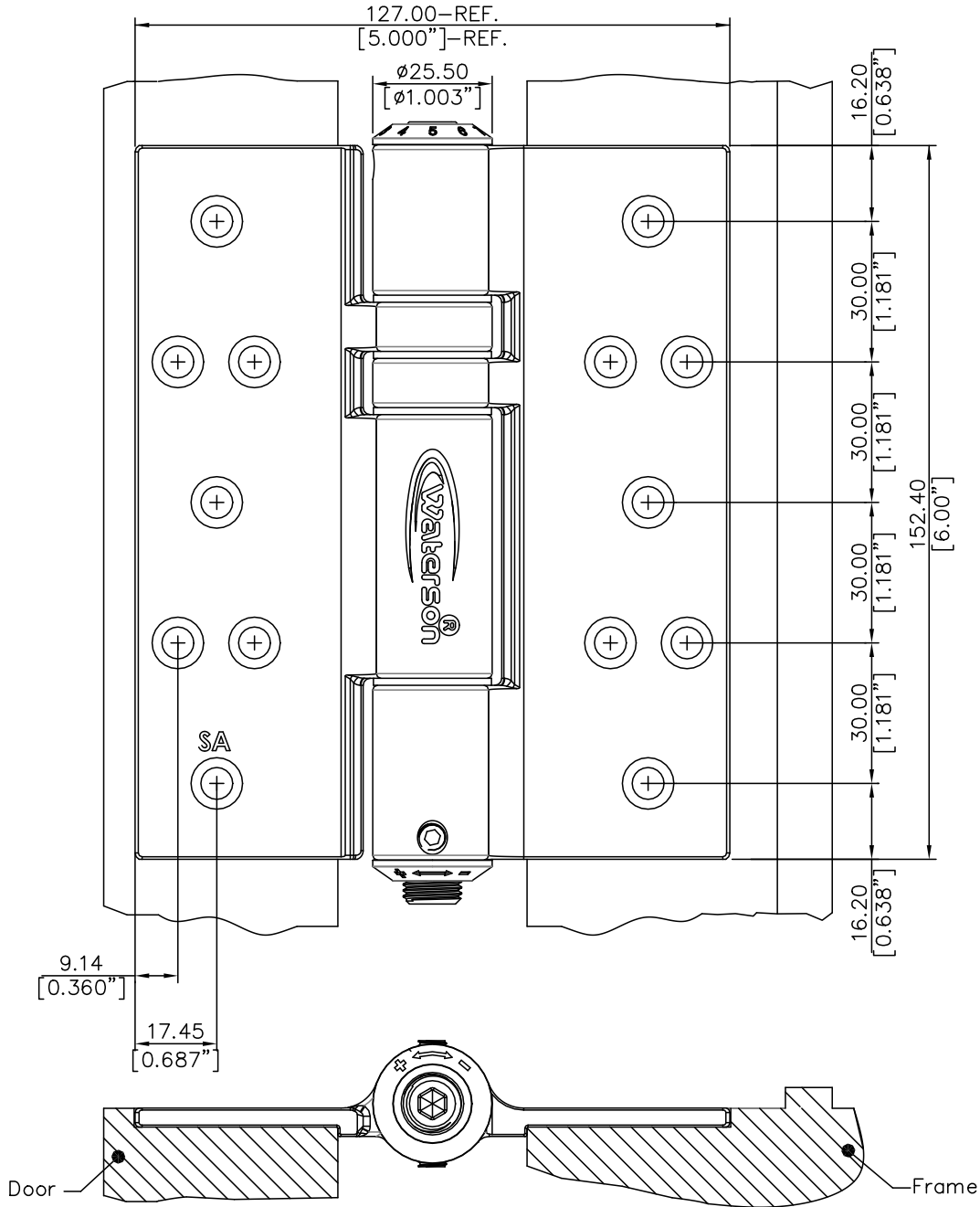
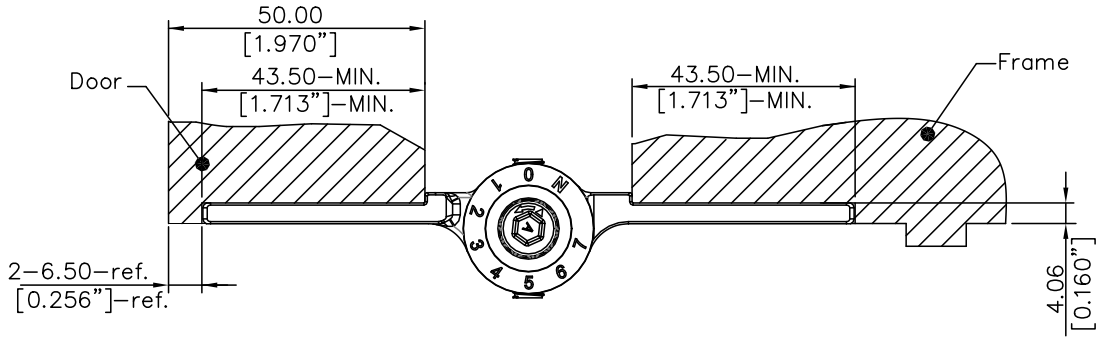



BASE LINE



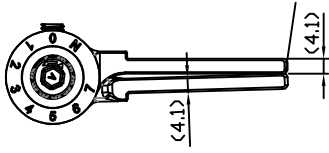
UNITS: mm

REV. DATE	2020-MAY-05
-----------	-------------

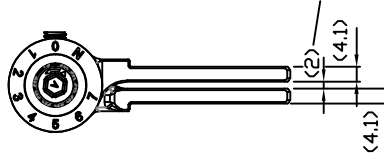
 Waterson Closer Hinge System Hinges@watersonusa.com	NAME: 3in1 Waterson Closer Hinge System		Material: 304 Stainless steel		
	Pivot Height: 6"		Template Size: 6"(H)x5"(W)		Standard: -
	Model NO.: 650141		Serial NO.: K51M		Door thickness: 50mm

K51M-650

Fully closed position



0° closed position



90° opened position

