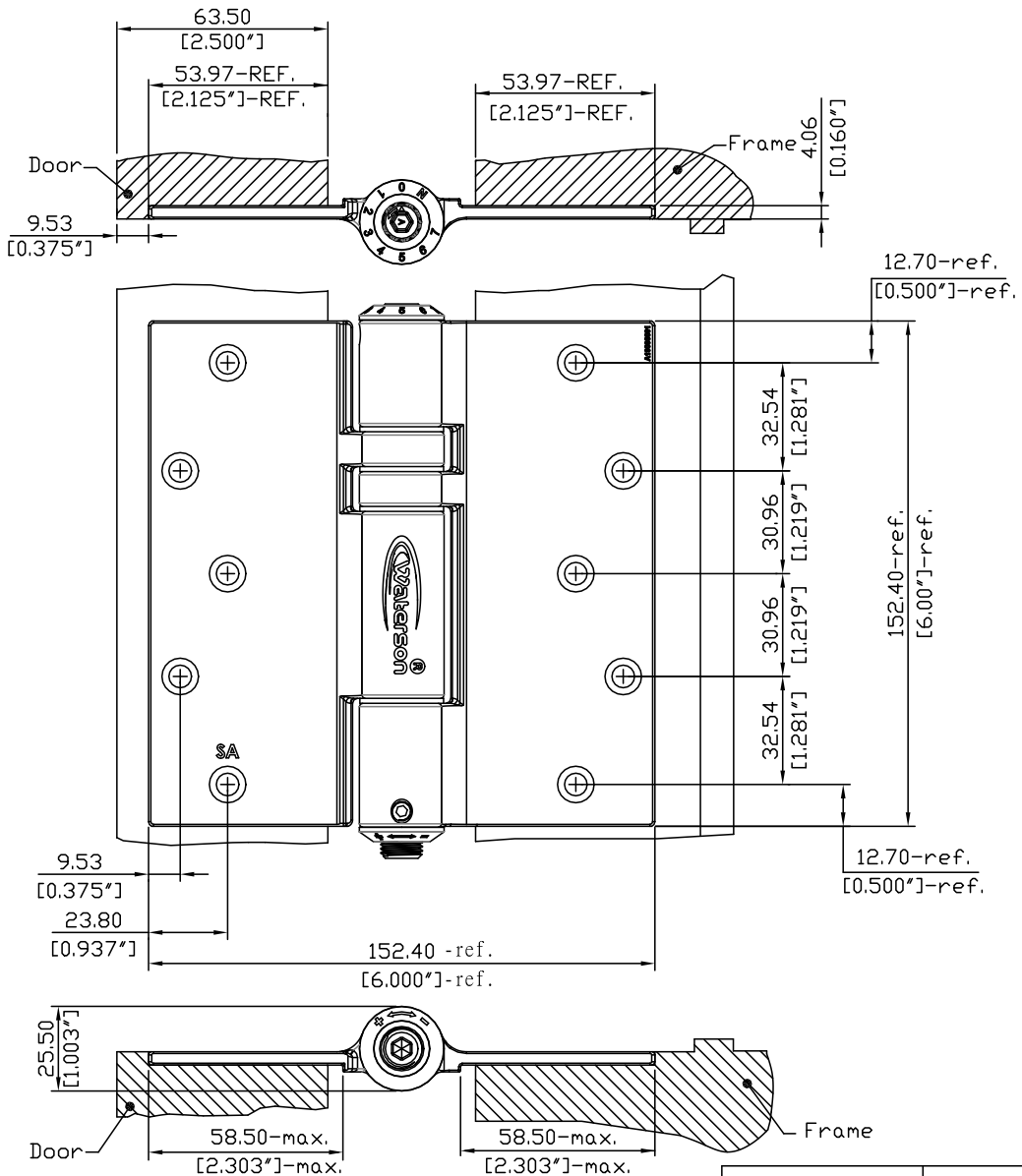
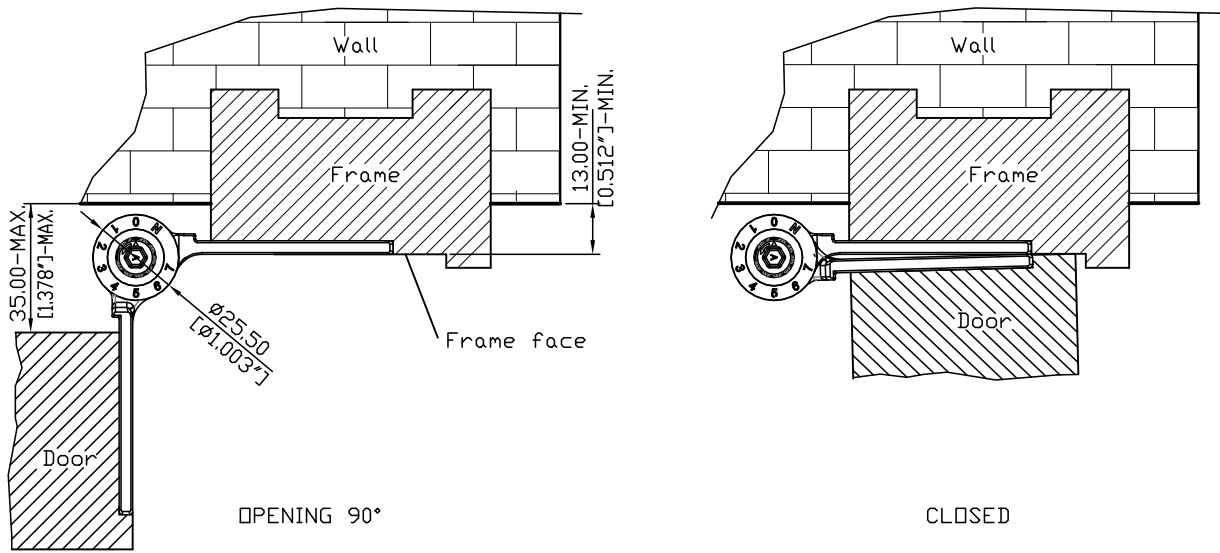


ANGULAR RANGE : OPENING 90°~CLOSED



Units: mm

REV. DATE 2020-MAY-20



Waterson Closer Hinge System
Hinges@watersonusa.com

NAME:
3in1 Waterson Closer Hinge System

Material:
SUS 304 Stainless steel

Pivot Height:
6"

Template Size:
6"(H)x6"(W)

Standard:
ANSI A156.7

Model NO.:
600141

Serial NO.:
K51M

Door thickness:
63.5mm (2-1/2")