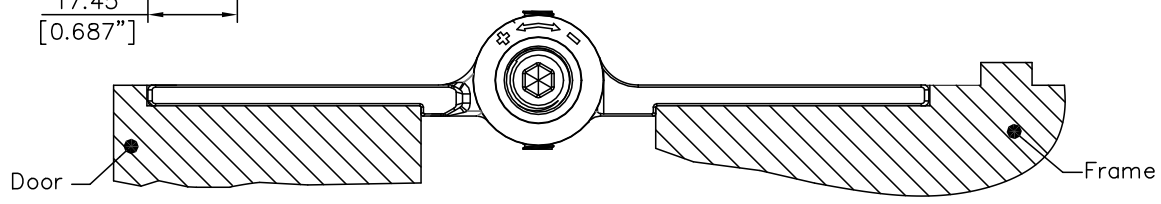
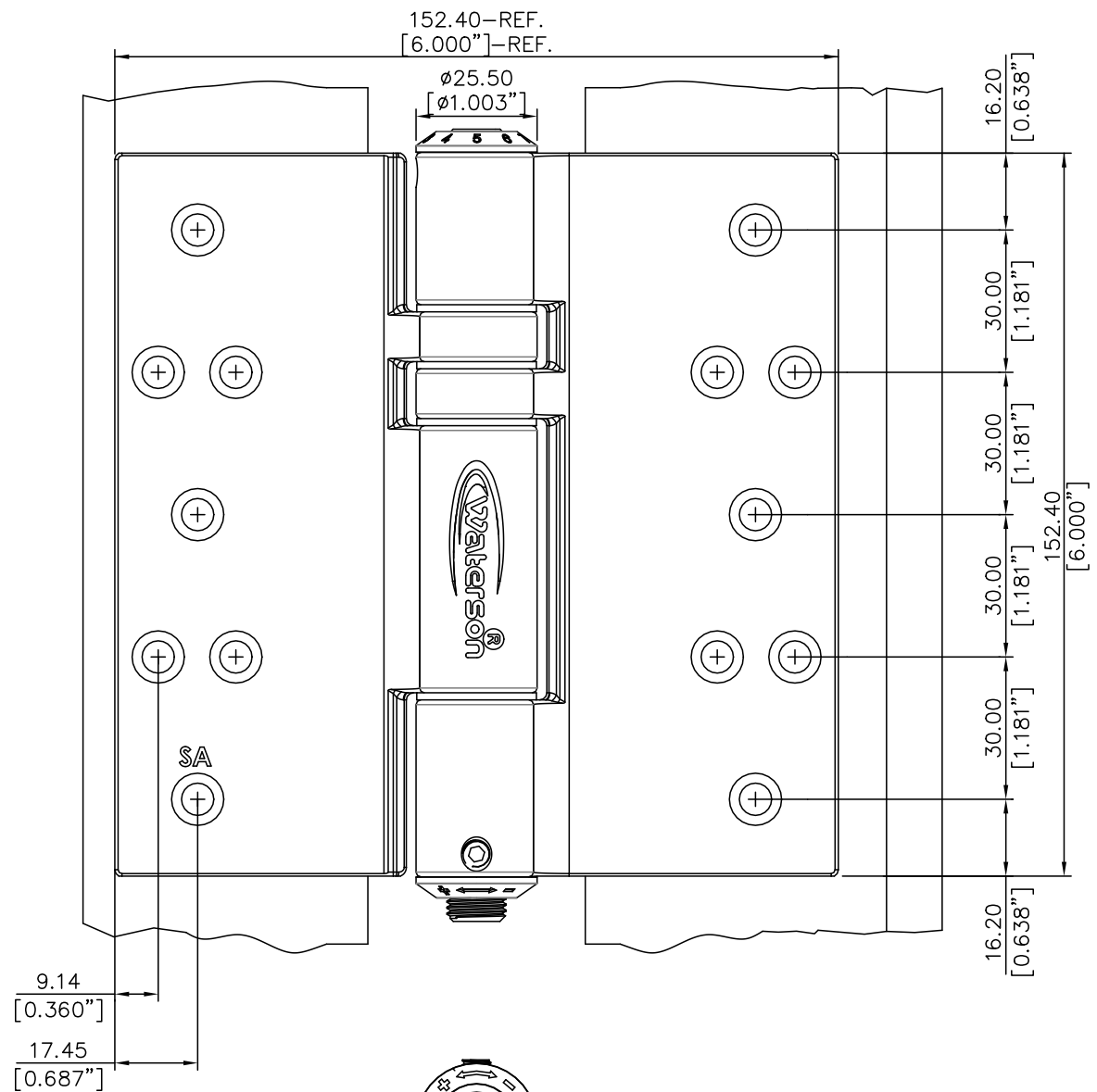
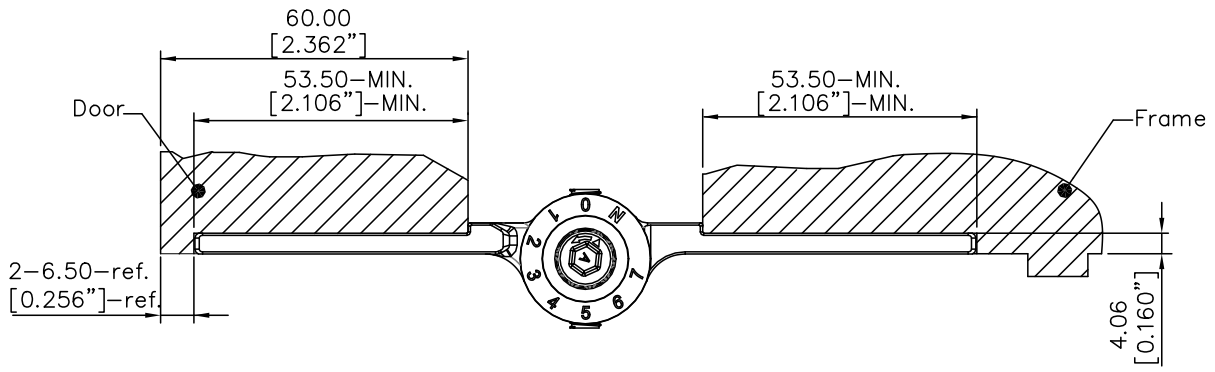



BASE LINE



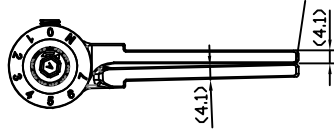
UNITS: mm

REV. DATE	2020-MAY-12
-----------	-------------

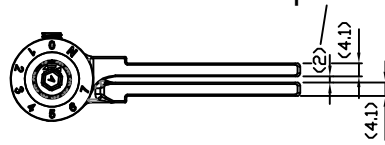
 Waterson Closer Hinge System Hinges@watersonusa.com	NAME: 3in1 Waterson Closer Hinge System		Material: 304 Stainless steel		
	Pivot Height: (5 KNUCKLES)		Template Size: 6"(H)x6"(W)		Standard: -
	Model NO.: 600141		Serial NO.: K51M		Door thickness: 60mm

K51M-660

Fully closed position



0° closed position



90° opened position

