

Waterson® 3 in 1 Self-closing Hinge

For Metal / Fire-rated Door



K51M-640



K51M-645



K51M-650



K51M-655



K51M-660

Stainless Steel hinge - For Wood/Metal/Fire-Rated Doors

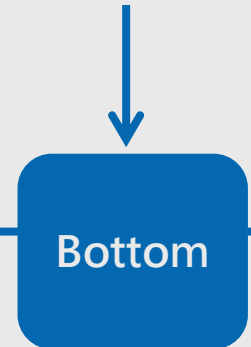
Model	Full Name	Door Thickness	Mortise Width (min)	Mortise Depth (min)	Gap of the hinged side (non-mortise)
K51M-640	6" x 4" Auto Door-Closer Hinge	40-45 mm	33.5mm	4.06 mm	10 mm
K51M-645	6" x 4.5" Auto Door-Closer Hinge	45-50 mm	38.5mm		
K51M-650	6" x 5" Auto Door-Closer Hinge	50-55 mm	43.5mm		
K51M-655	6" x 5.5" Auto Door-Closer Hinge	55-60 mm	48.5mm		
K51M-660	6" x 6" Auto Door-Closer Hinge	60-65 mm	53.5mm		



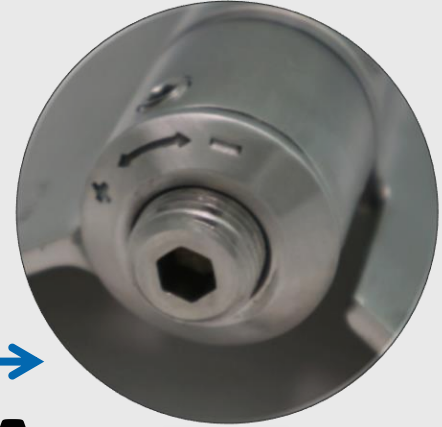
S (Spring Power)



H (Hydraulic Buffer)



S (Spring Power)



A1.A (Mechanical Buffer)

B (Hold-Open)

Stainless Steel hinge Types - For Wood/Metal/Fire-Rated Doors

Type of Hinge	Top	Function	Bottom	Function	Mechanism
DS	S	Spring power (provide closing power)	S	Spring power (provide closing power)	Spring power + Spring power
SA1	S	Spring power (provide closing power)	A1	Control closing speed in 0°-20°	Spring power + Mechanical buffer
SA	S	Spring power (provide closing power)	A	Control closing speed in 20°-90°	Spring power + Mechanical buffer
SB	S	Spring power (provide closing power)	B	Hold-open in 90° +/-5°	Spring power + Hold-open
HS	H	Hydraulic Buffer	S	Spring power (provide closing power)	Hydraulic Buffer + Spring power
HA	H	Hydraulic Buffer	A	Control closing speed in 20°-90°	Hydraulic Buffer + Mechanical buffer

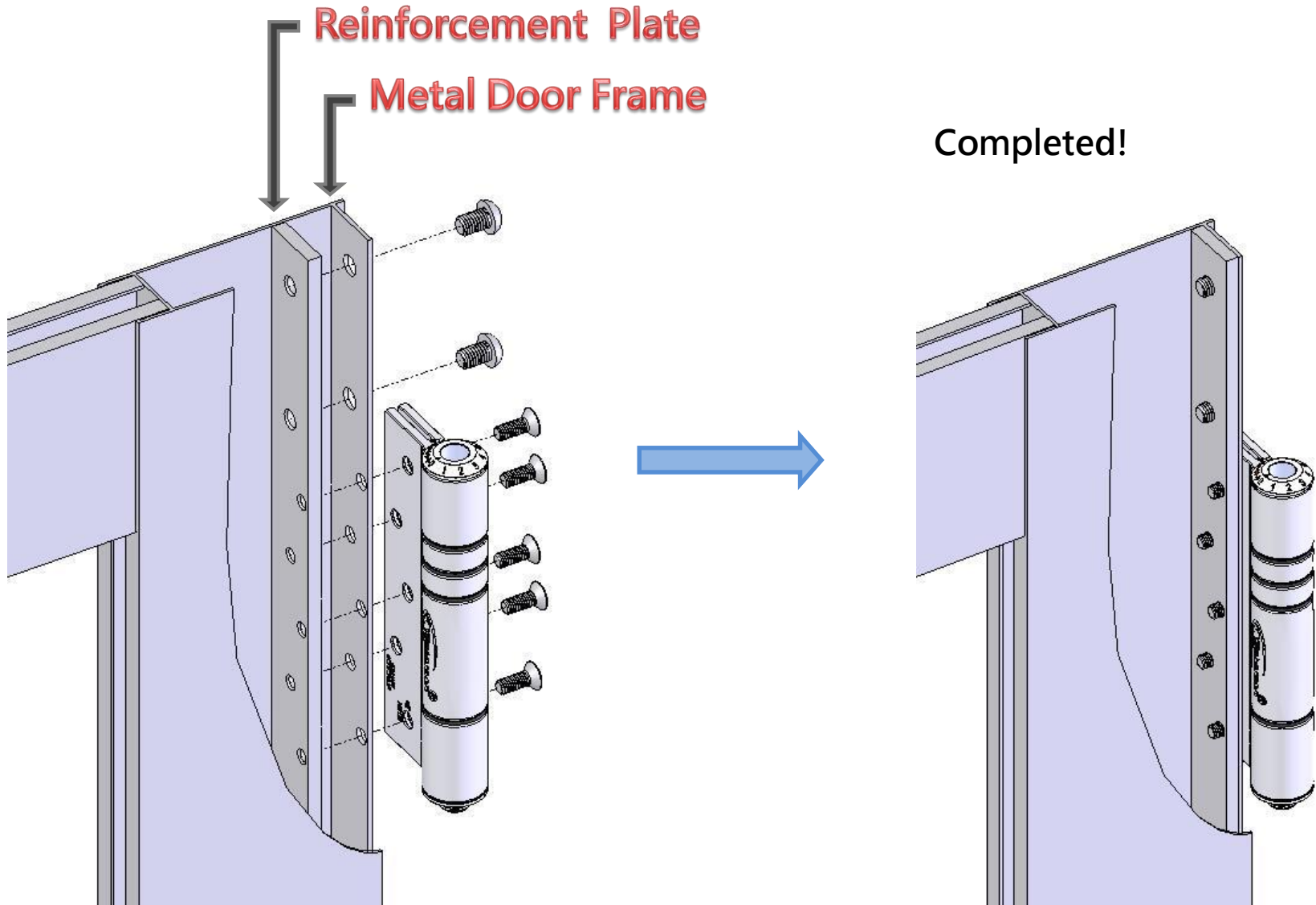
For 6" Barrel: Hinge Combination and Installation Position

		Self-Closing				Self-closing & Hold-open		
Door Weight Position	70 kg		120 kg		150 kg	70 kg		
	Top	SA	DS	SA	DS	DS	SB	SB
Middle	/	/	SA	HA	HA	/	SA	SA
					SA			
Bottom	SA1	HA	SA1	SA1	SA1	HS	HS	SA1

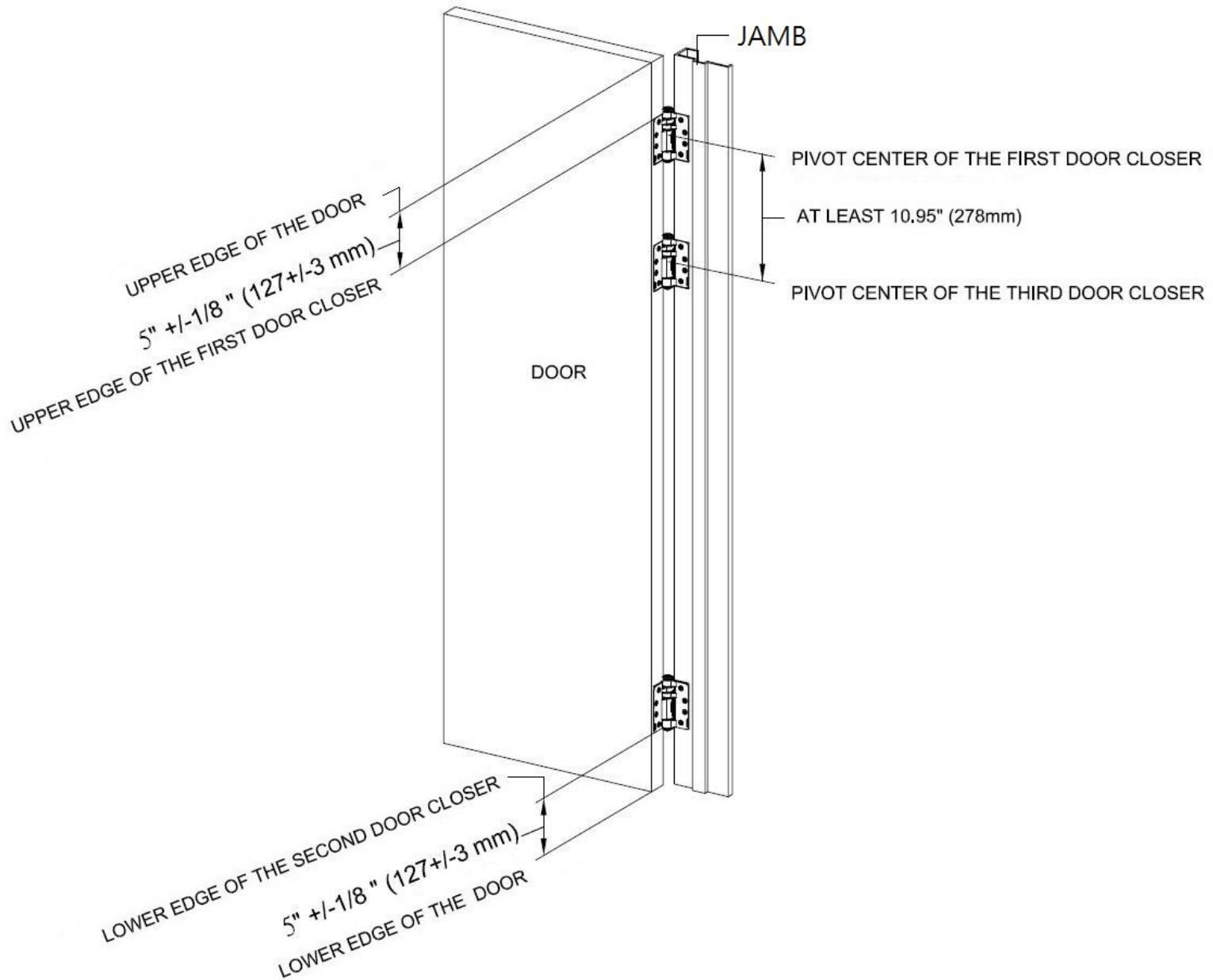
Comparison Chart of Waterson Mechanical & Hydraulic Type

Waterson Auto Door-Closer hinge	Mechanical Type	Hydraulic Type
Closing Style	Smooth, with average closing speed	Smooth, with a distinct speed buffering zone in the last phase of closing
Wind/Slam Resistant	No	Yes
Need of Maintenance	No	No
Combination of Uses (in the case of 3 pcs/set)	3 mechanical hinges	2 mechanical hinges 1 hydraulic hinge
Speed Adjustment	Yes	Yes
Demo Video	https://www.youtube.com/watch?v=MZdexp_Bzqs	

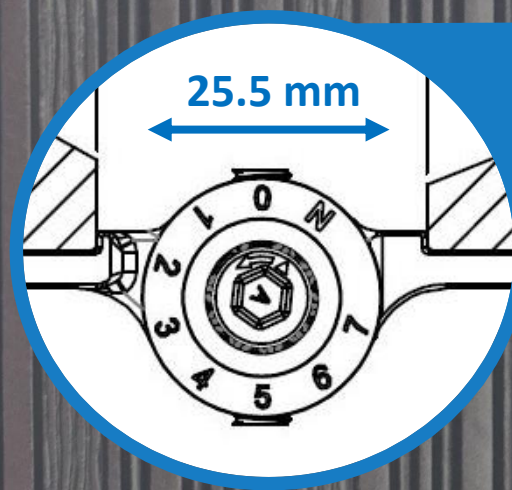
To keep the door from warping, install reinforcement plate for relatively flexible/soft door and frame.



Installation Guide for Wooden & Metal Door



Save a little space for me!



PACKAGING INFORMATION

ITEM NO.	lbs/PCS (Accessories included)	QTY			N.W. (lbs)/ CTN.	G.W. (lbs)/ CTN.	CARTON SIZE (Inch)			
		PCS/ BOX	PCS/ CTN.	BOX/ CTN.			W	H	L	CUFT
K51M-640	2.02	3	24	8	48.48	52.90	10	6	12	0.46
K51M-645	2.16	3	24	8	51.84	56.26	10	6	12	0.46
K51M-650	2.26	3	24	8	54.24	58.66	10	6	12	0.46
K51M-655	2.40	3	24	8	57.60	62.02	10	6	12	0.46
K51M-660	2.62	3	24	8	62.88	67.3	10	6	12	0.46

Installation Example Fire-rated Door



Installation Example

Glass Door with Metal Frame



BEFORE



AFTER



