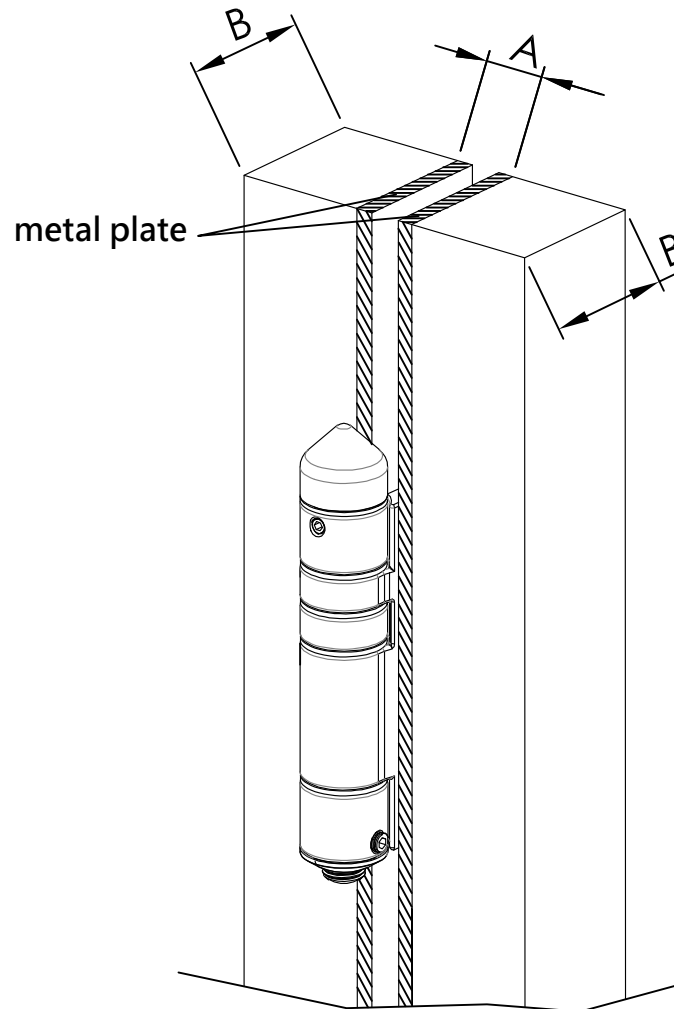
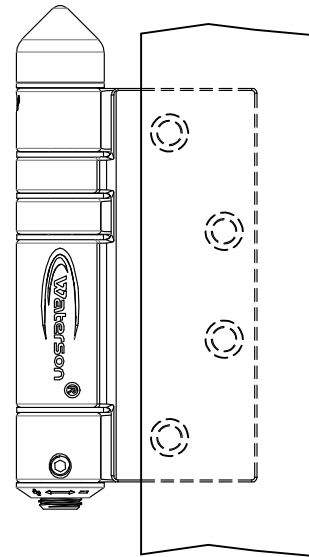


$A: \geq 8.5\text{mm} [0.335"]$   
 $A > 8.5\text{mm} [0.335"]$  -- Extra metal plate is needed  
 $B \geq 34\text{mm} [1.34"]$   
 $T = \frac{A - 8.5\text{mm}}{2} \left[ \frac{A - 0.335"}{2} \right]$



**K51MP-4.5"**