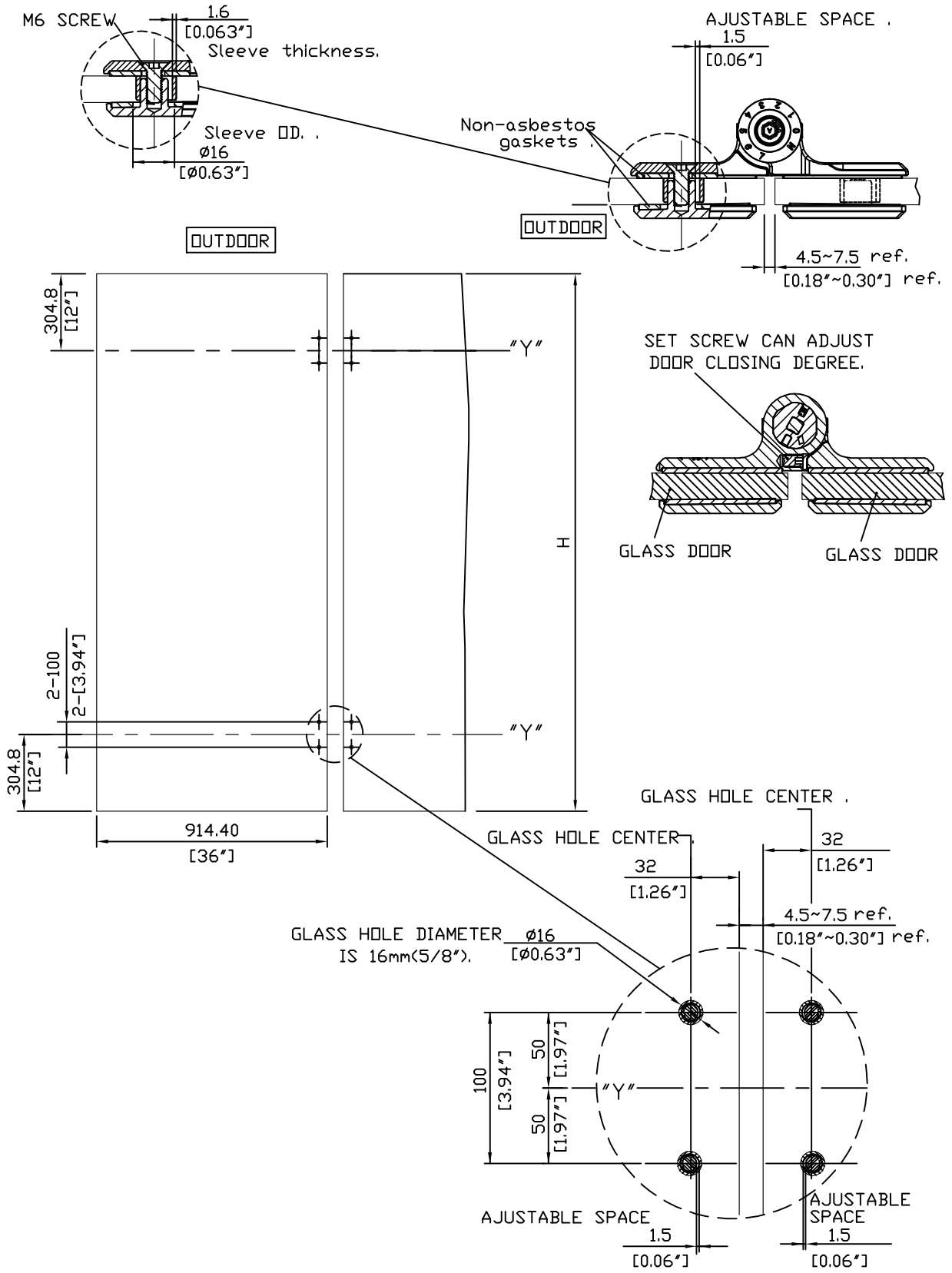


K51GG-180° (GLASS TO GLASS)
DOOR CLOSER HINGE
POSITION FOR K51GG HINGES



mm
[Inch]

| | |
|-----------|-------------|
| REV. DATE | 2018-DEC-17 |
|-----------|-------------|

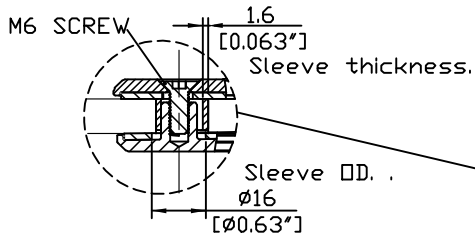


3in1 Auto Door-Closer Hinge
 Hinge@waterson.com

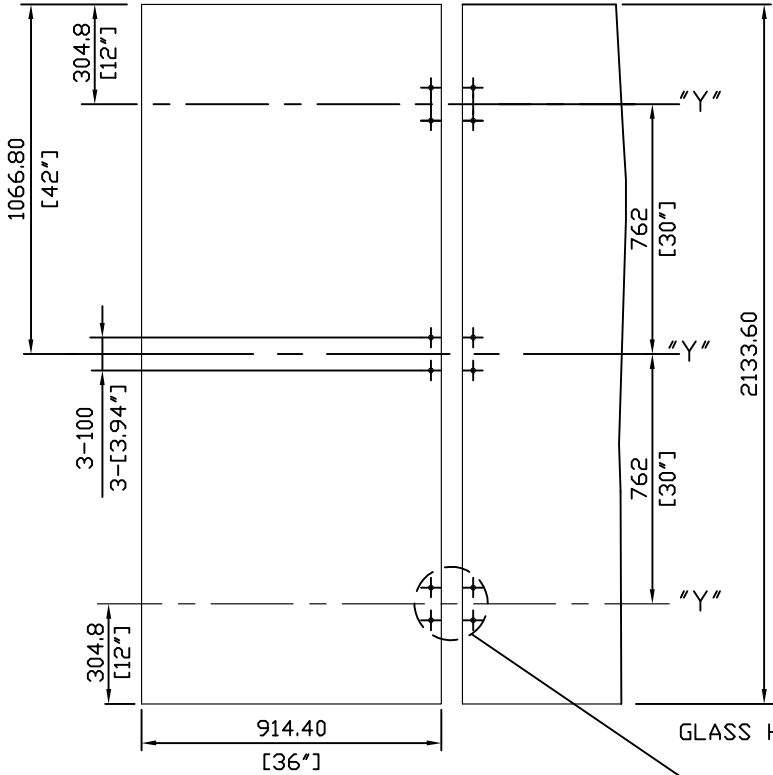
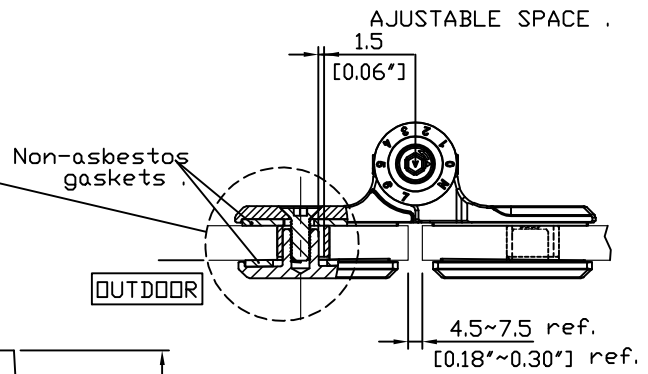
NAME:
 K51GG - Glass door dimensions

Glass door thickness:
 8~12 mm (5/16"~1/2")

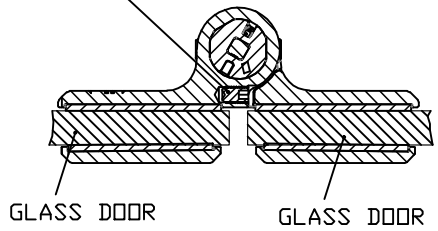
K51GG-180° (GLASS TO GLASS)
 DOOR CLOSER HINGE
 POSITION FOR K51GG HINGES



OUTDOOR



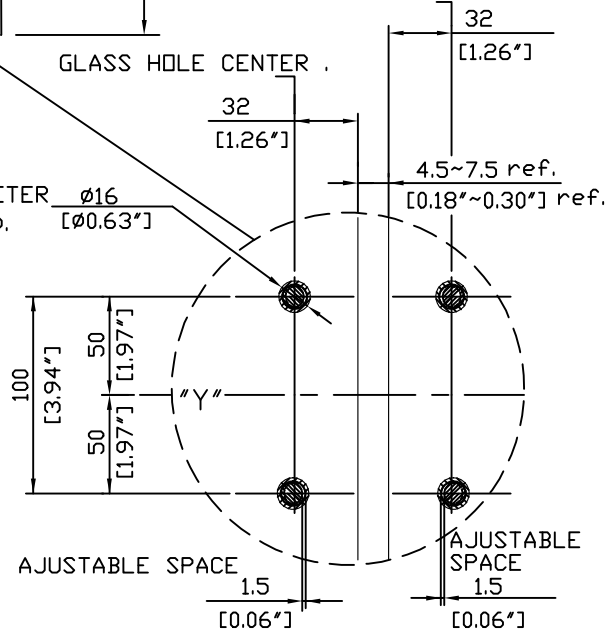
SET SCREW CAN ADJUST
 DOOR CLOSING DEGREE.



GLASS HOLE CENTER .

GLASS HOLE CENTER .

GLASS HOLE DIAMETER ø16
 IS 16mm(5/8"). [ø0.63"]



mm
[Inch]

REV. DATE

2018-DEC-17



3in1 Auto Door-Closer Hinge
 Hinge@waterson.com

NAME:
 K51GG - Glass door dimensions

Glass door thickness:
 8~12 mm (5/16"~1/2")