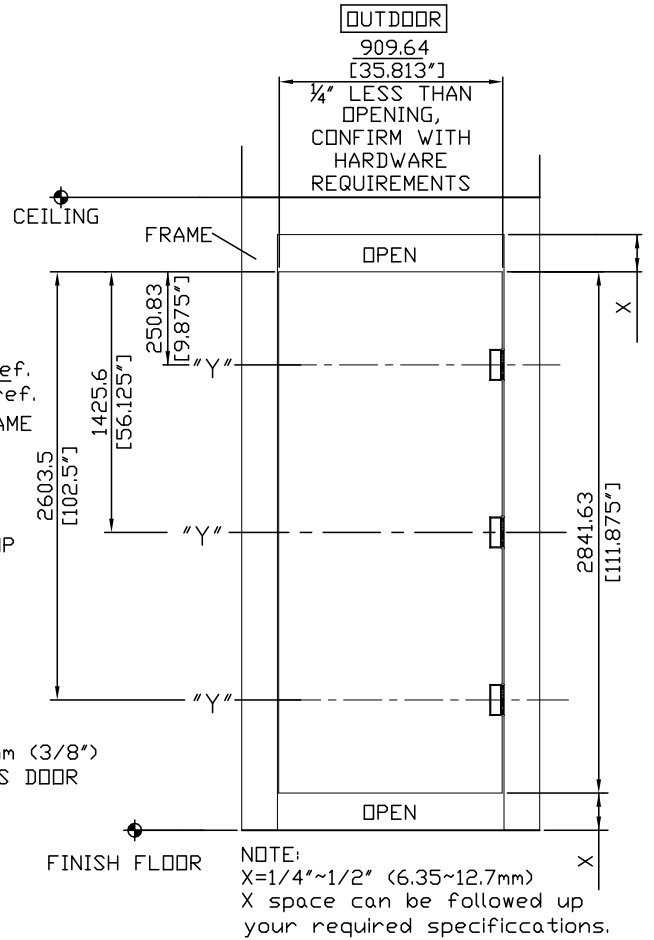
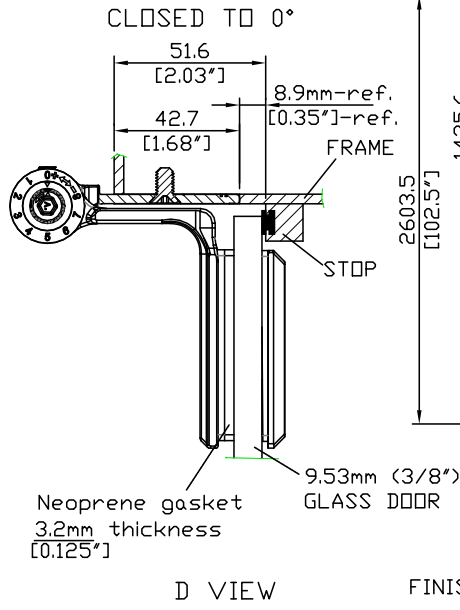
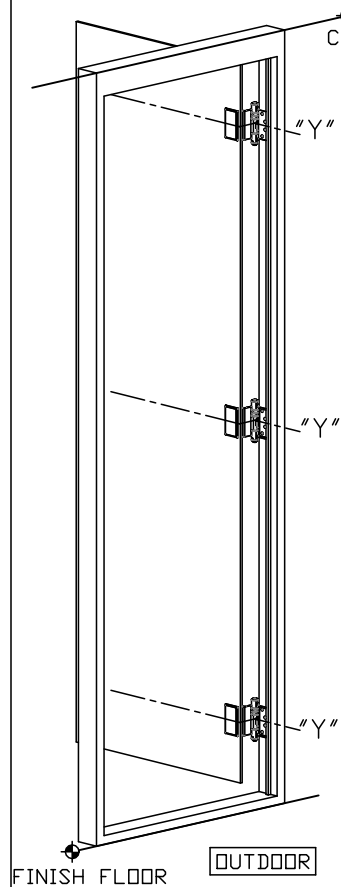
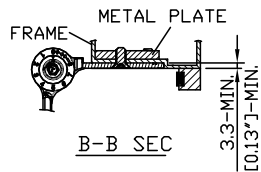


**K51GM-01-90° (GLASS TO FRAME)**  
**DOOR CLOSER HINGE**  
**POSITION FOR K51GM HINGES**

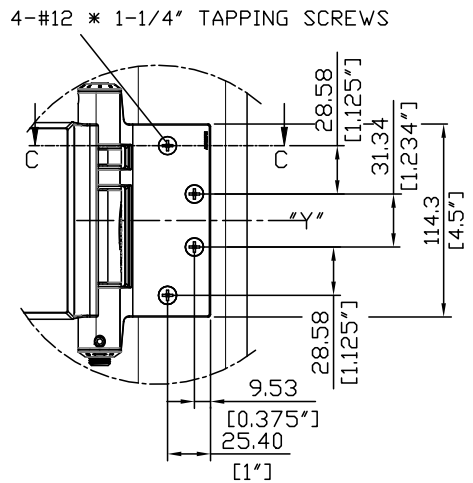
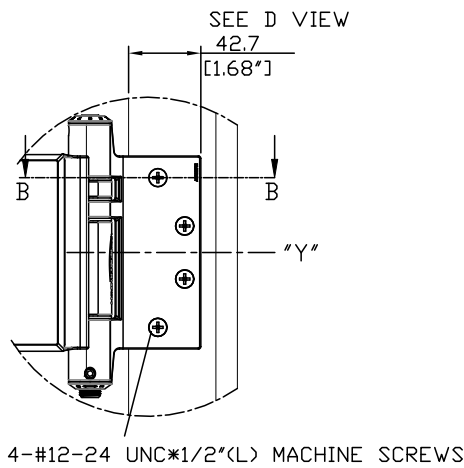
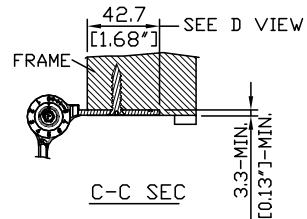


NOTE:  
 X=1/4"~1/2" (6.35~12.7mm)  
 X space can be followed up  
 your required specifications.

**ALUMINUM /STEEL FRAMES**



**WOOD /SOLID FRAMES**



mm  
 [inch]

REV. DATE 2019-NOV-11



3in1 Auto Door-Closer Hinge  
 Hinge@waterson.com

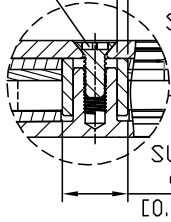
NAME:  
 Assembling K51GM-01 hinge with glass door and frame

**K51GM-01-90°** (GLASS TO FRAME)  
 DOOR CLOSER HINGE  
 POSITION FOR K51GM HINGES

(3 PCS)  
 1/4" SCREWS

3.1  
 [0.12"]

Sleeve thickness.



Sleeve OD.  
 Ø19  
 [0.748"]

Neoprene gaskets  
 3.2 mm thickness  
 [0.125"]

AJUSTABLE SPACE  
 1.5-MAX.  
 [0.06"]-MAX.

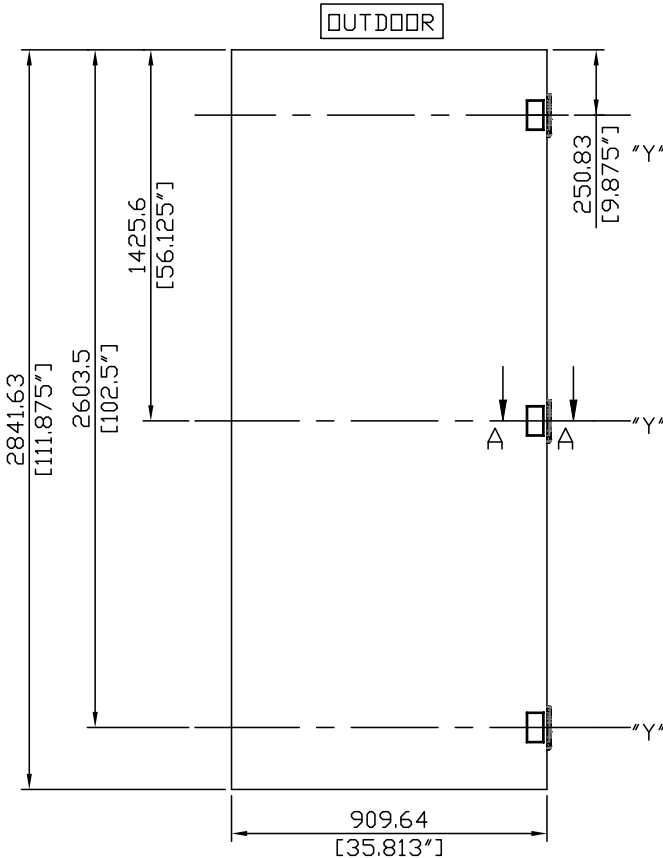
K51M-6"×4.5H"×5"W

FRAME

OUTDOOR

DOOR STOP

8.9-REF.  
 [0.35"]-REF.



GLASS DOOR

OUTDOOR

A-A SEC

4.2-REF.  
 [1.65"]-REF.

GLASS HOLE CENTER TO CENTER.

GLASS HOLES DIAMETER

3-Ø19.05<sup>+1.50</sup><sub>-0.00</sub>

3-[Ø3/4<sup>+1/16</sup><sub>-0</sub>]

44.25

[1.742"]

44.25

[1.742"]

31.75

[1.25"]

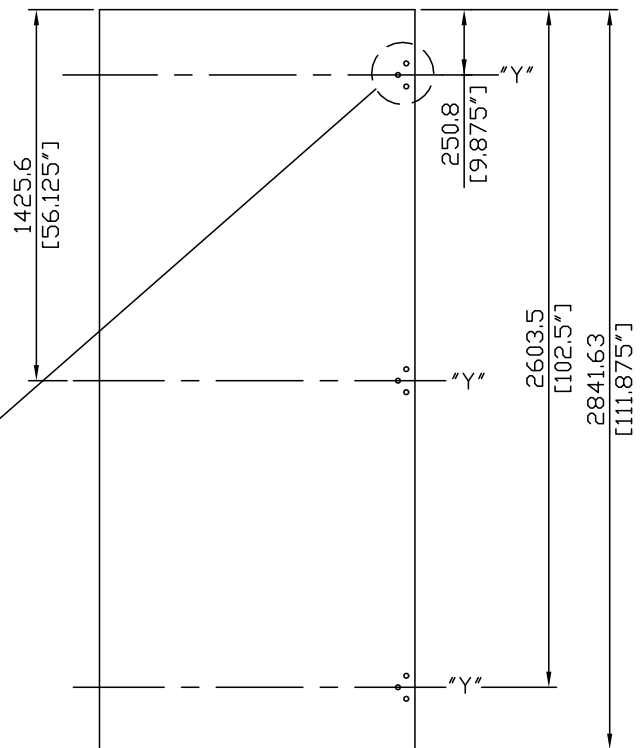
33.34

[1.313"]

AJUSTABLE SPACE

1.5-MAX.  
 [0.06"]-MAX.

mm  
 [inch]



REV. DATE

2019-NOV-11



3in1 Auto Door-Closer Hinge  
 Hinge@waterson.com

NAME:  
 K51GM-01- Glass door dimensions

Glass door thickness:  
 9.53 mm (3/8") OR 12.70 mm (1/2") CLEAR GLASS WITH POLISHED EDGES