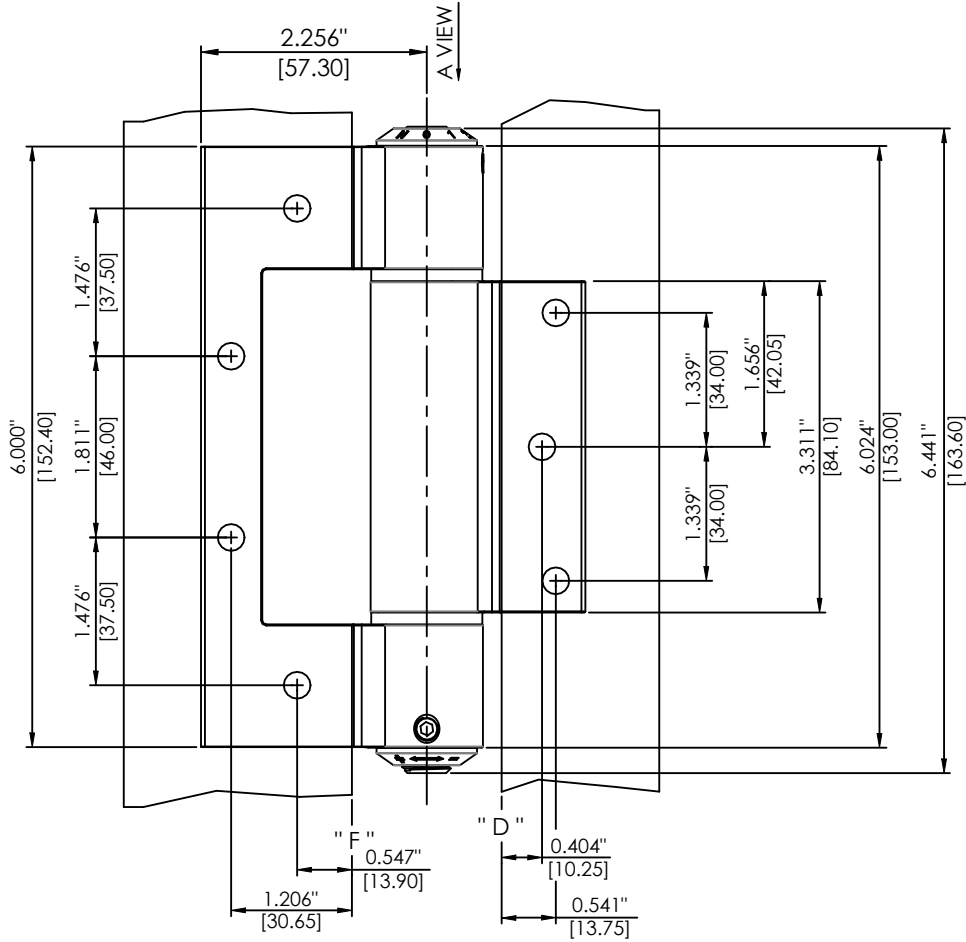
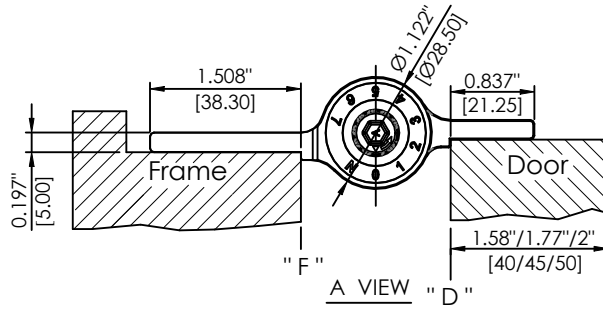
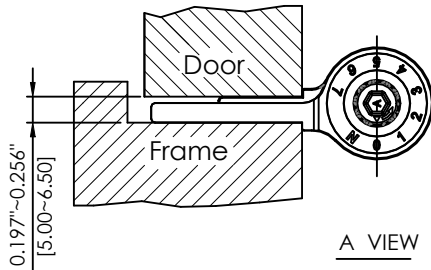


DOOR OPENING (180 DEGREE)

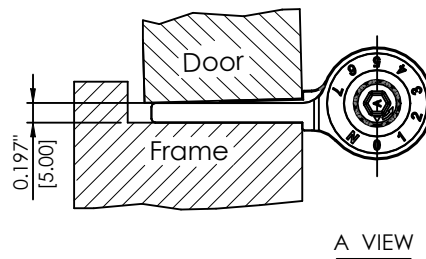


DOOR CLOSED

DOOR CLOSED (0 DEGREE)



DOOR CLOSED (FULLY)



SCREW TYPE	SPEC
Machine Screw	NO.12-24 UNCx1/2" L
Wood Screw	NO.12x1 1/4" L
REV. DATE	2021-FEB-09

inch
mm



Waterson Closer Hinge System
hinges@watersonusa.com

NAME :
Waterson Interfold Closer Hinge

MATERIAL : Aluminum
6061 T6

MODEL NO. :
-

TEMPLATE SIZE :
6"x4.5"

STANDARD :
-

MODEL NO. :
-

SERIAL NO. :
W41K

DOOR THICKNESS :
1.58"/1.77"/2" [40mm/45mm/50mm]