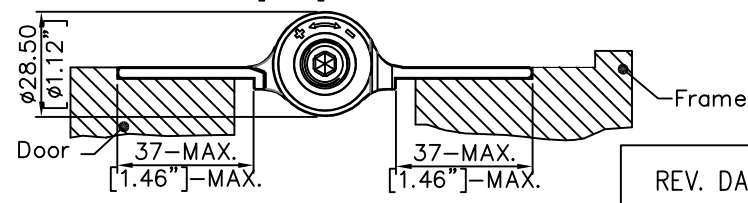
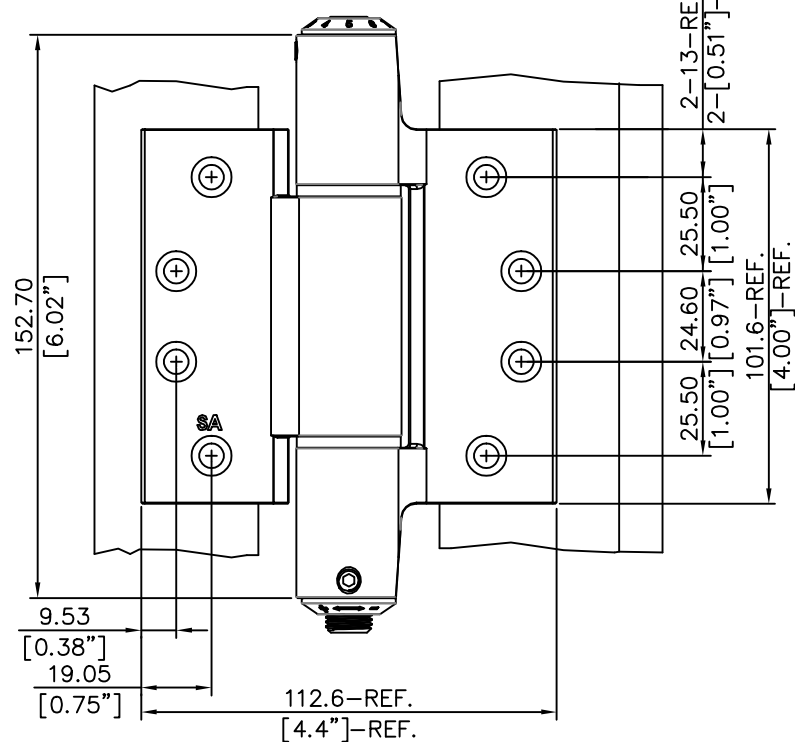
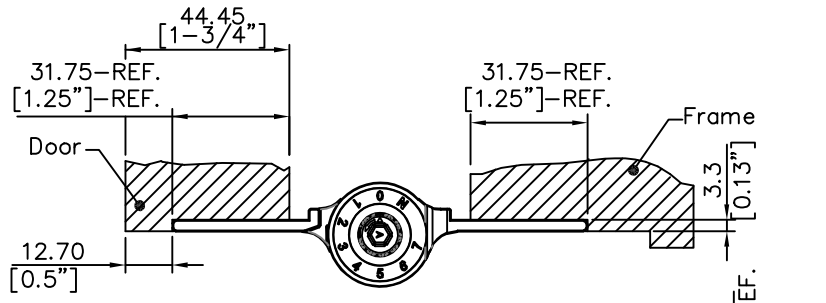
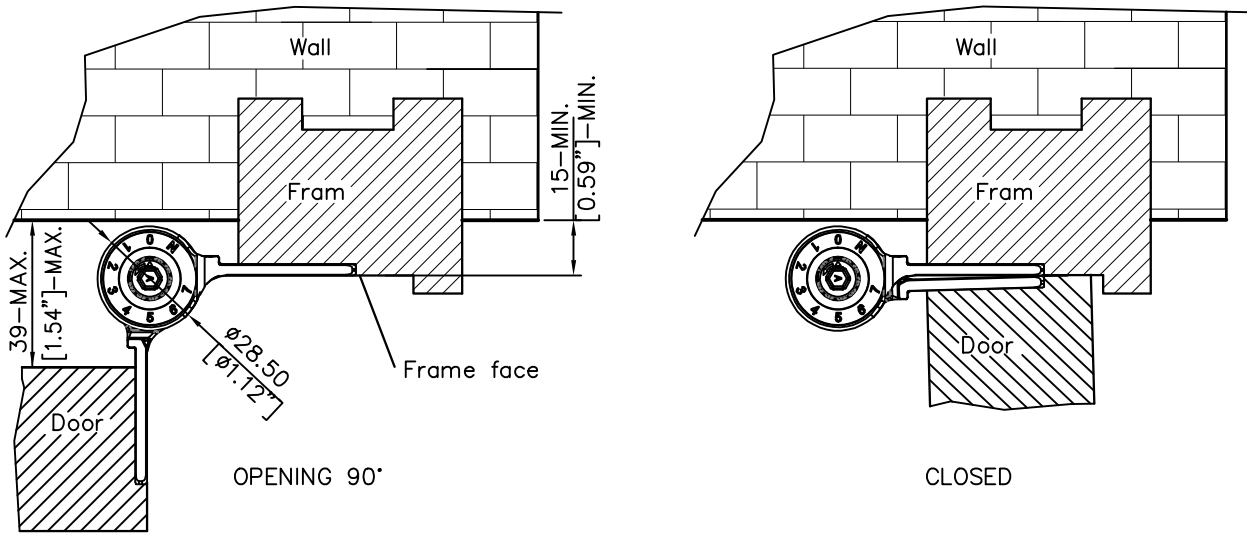


ANGULAR RANGE : OPENING 90°~CLOSED



Units: mm

REV. DATE	2019-JUL-17
-----------	-------------



NAME: 3in1 Auto Door-Closer Hinge		Material: 6061 T6	
Pivot Height: (3 KNUCKLES)	Template Size: 4"(H)x4"(W)	Standard: ANSI A156.7	
Model NO.:	Serial NO.:	Door thickness:	
400131	W41M	44.45mm (1-3/4")	

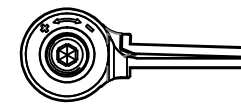
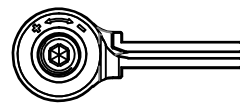
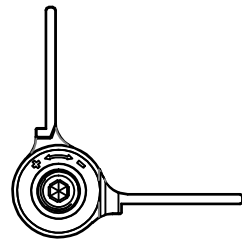
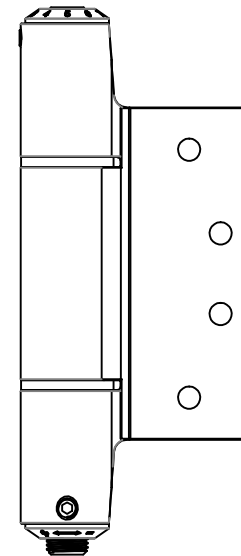
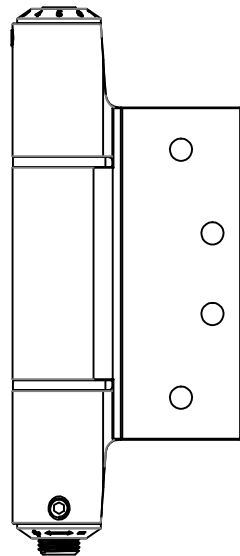
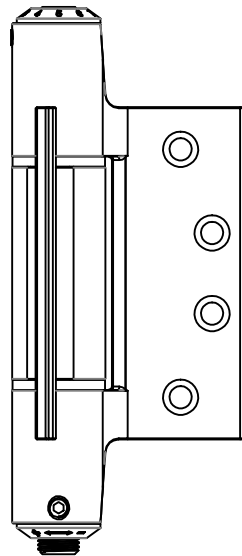
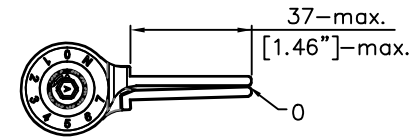
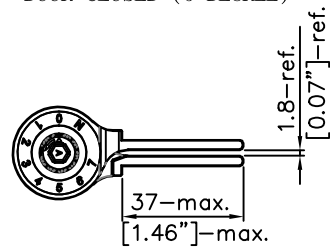
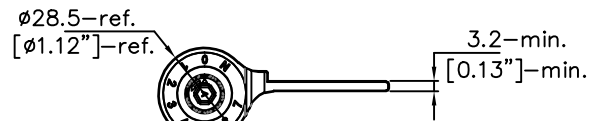
W41M-400

(4H*4W)

DOOR OPENING (90 DEGREE)

DOOR CLOSED (0 DEGREE)

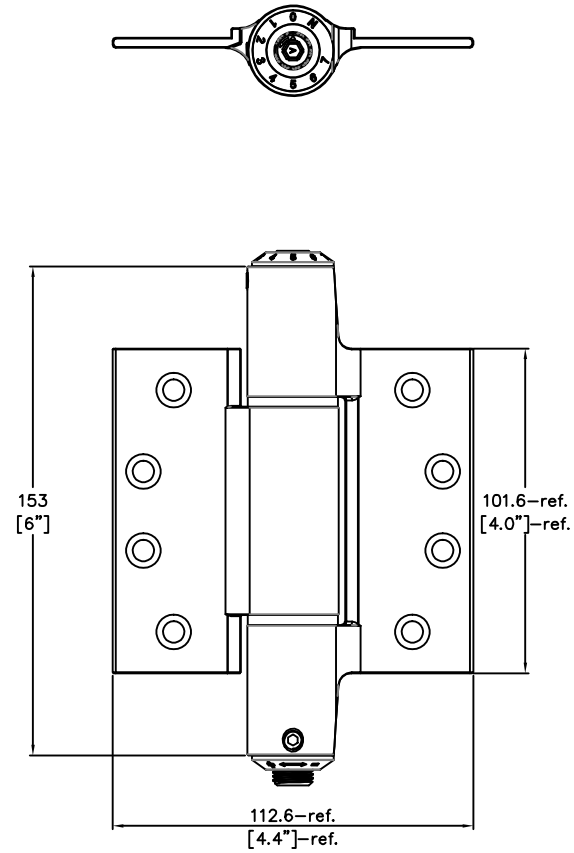
DOOR CLOSED (FULLY)



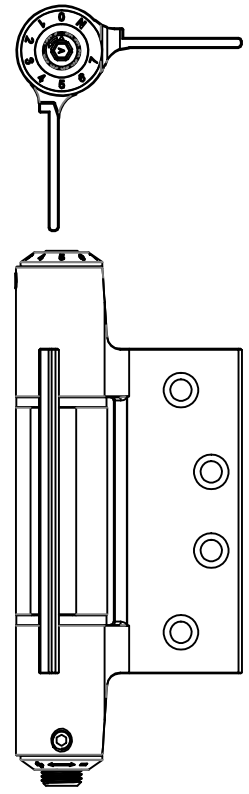
DATE:2019-JUL-17

W41M-400
(4H*4W)

DOOR OPENING 180°



DOOR OPENING 90°



DOOR CLOSED 0°

