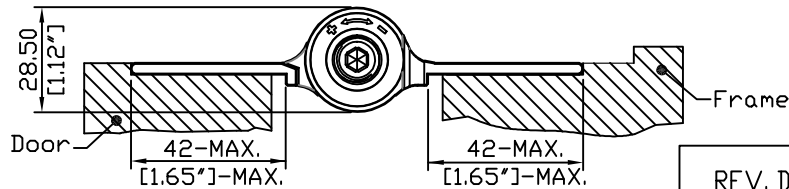
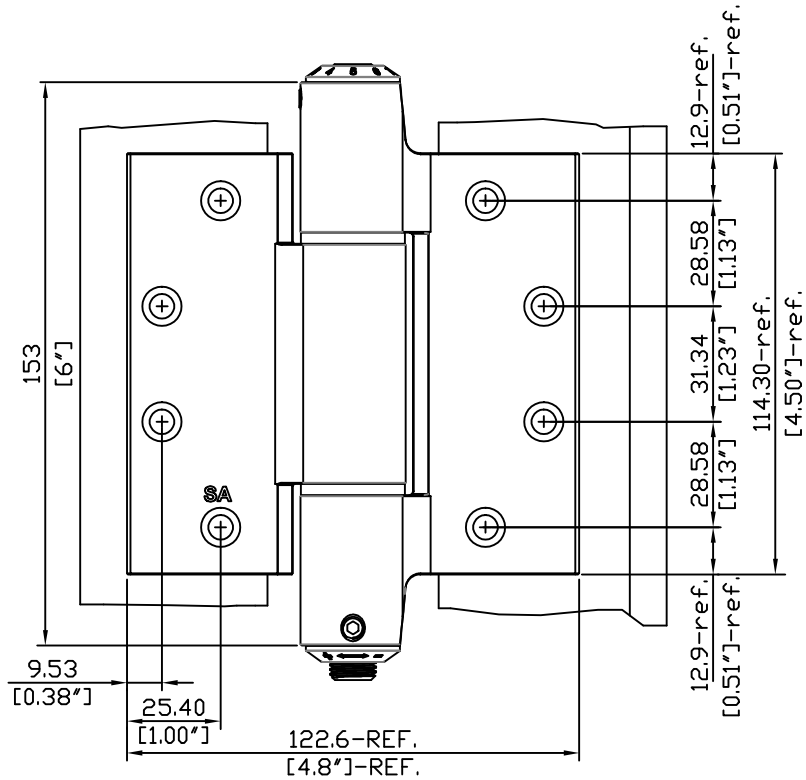
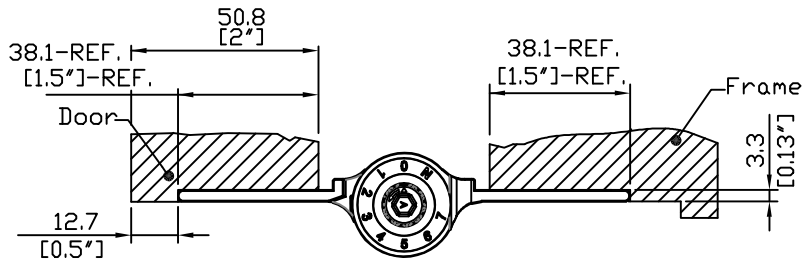
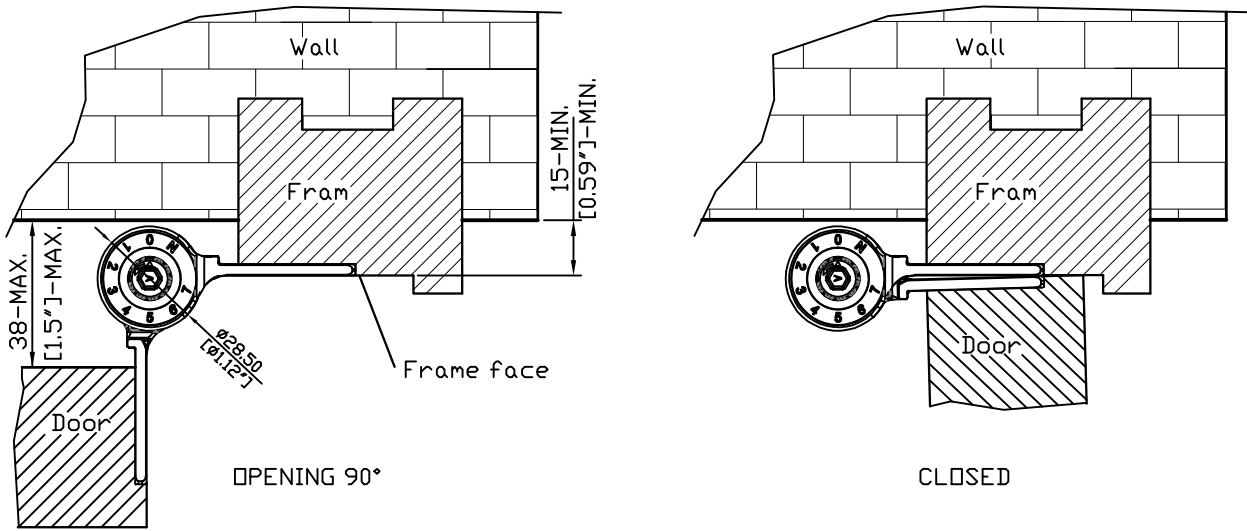


ANGULAR RANGE : OPENING 90°~CLOSED



Units: mm

REV. DATE

2019-MAR-28



3in1 Auto Door-Closer Hinge
Hinge@waterson.com

NAME:
3in1 Auto Door-Closer Hinge

Material:
6061 T6

Pivot Height:
(3 KNUCKLES)

Template Size:
4.5"(H)x4.5"(W)

Standard:
ANSI A156.7

Model NO.:

450131

Serial NO.:

W41M

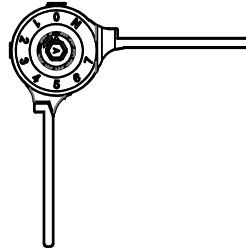
Door thickness:
50.8mm (2")

W41M-450
(4.5H*4.5W)

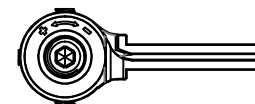
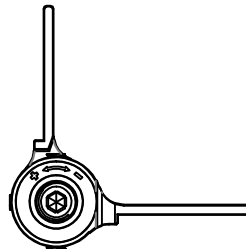
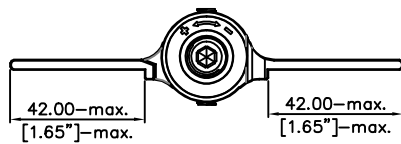
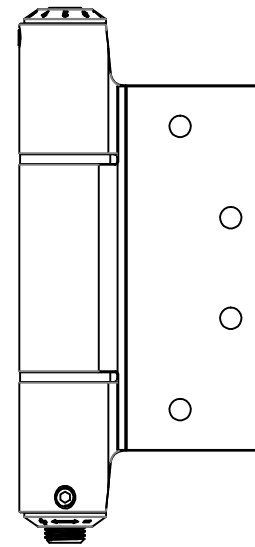
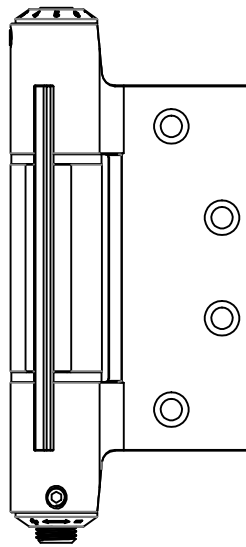
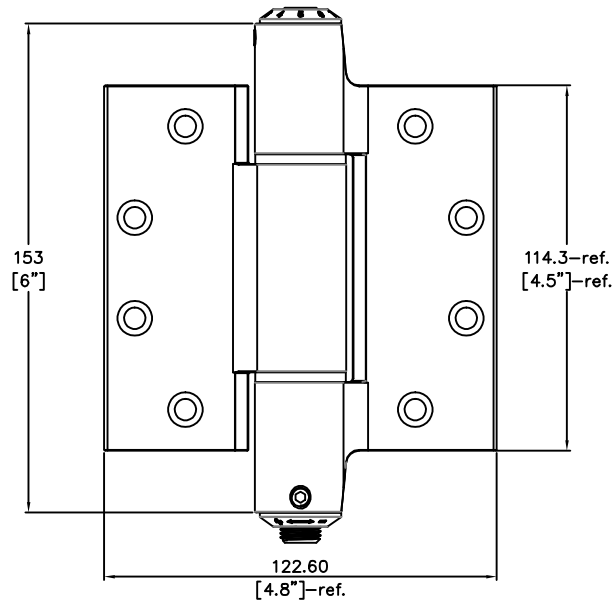
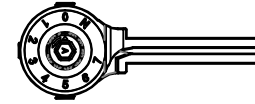
DOOR OPENING 180°



DOOR OPENING 90°



DOOR CLOSED 0°



DATE:2019-JUN-18

W41M-450
(4.5H*4.5W)

DOOR OPENING (90 DEGREE)

DOOR CLOSED (0 DEGREE)

DOOR CLOSED (FULLY)

