



Self-closing Hinge For Metal / Fire-rated Door



K51M-450



K51M-640



K51M-645



K51M-650



K51M-655



K51M-660

Stainless Steel hinge - For Wood/Metal/Fire-Rated Doors

Model	Full Name	Door Thickness	Mortise Width (min)	Mortise Depth (min)	Gap of the hinged side (non-mortise)
K51M-450	4.5" x 4.5" US Standard Auto Door-Closer Hinge	45-50 mm	38.5mm	3.3mm	8.6mm
K51M-640	6" x 4" Auto Door-Closer Hinge	40-45 mm	33.5mm	4.06mm	10mm
K51M-645	6" x 4.5" Auto Door-Closer Hinge	45-50 mm	38.5mm		
K51M-650	6" x 5" Auto Door-Closer Hinge	50-55 mm	43.5mm		
K51M-655	6" x 5.5" Auto Door-Closer Hinge	55-60 mm	48.5mm		
K51M-660	6" x 6" Auto Door-Closer Hinge	60-65 mm	53.5mm		



S (Spring Power)



H (Hydraulic Buffer)



S (Spring Power)



A1.A (Mechanical Buffer)
B (Hold-Open)

Stainless Steel hinge Types - For Wood/Metal/Fire-Rated Doors

Top	Function	Bottom	Function	Type for order	Mechanism
S	Spring power (provide door closing power)	S	Spring power (provide door closing power)	SS	Spring power + Spring power
S	Spring power (provide door closing power)	A1	Control closing speed in 0°-20°	SA1	Spring power + Mechanical buffer
S	Spring power (provide door closing power)	A	Control closing speed in 20°-90°	SA	Spring power + Mechanical buffer
S	Spring power (provide door closing power)	B	Hold-open in 90°+/-5°	SB	Spring power + Hold-open
H	Hydraulic Buffer	A	Control closing speed in 20°-90°	HA	Hydraulic Buffer + Mechanical buffer
H	Hydraulic Buffer	B	Hold-open in 90°+/-5°	HB	Hydraulic Buffer + Hold-open

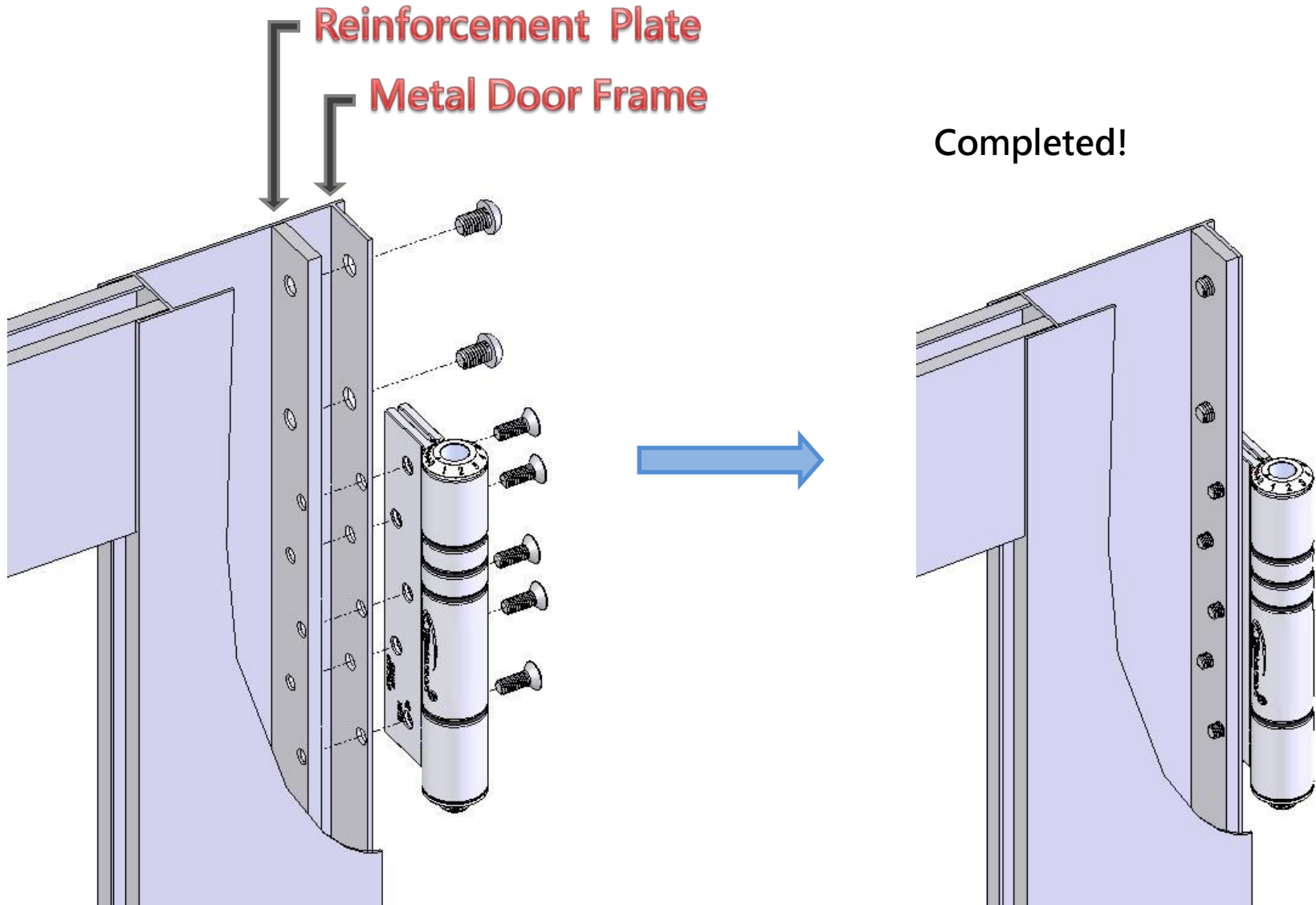
For 6" Barrel: Hinge Combination and Installation Position

	Self-Closing							Self-Closing & Hold-open				
Door Weight Position	40 kg	75 kg		120 kg		170 kg		40kg	75 kg	120 kg		170 kg
Top	SA	SS	SA1	SS	SA1	SS	SS	SA	SS	SS	SA1	SS
Middle	/		HA	HA	SA	SA1	SA1	/		HB	SB	SB
HA						HB						
Bottom	HA	HA	SA	SA1	SA	SA	SA	HB	HB	SA	SA	SA

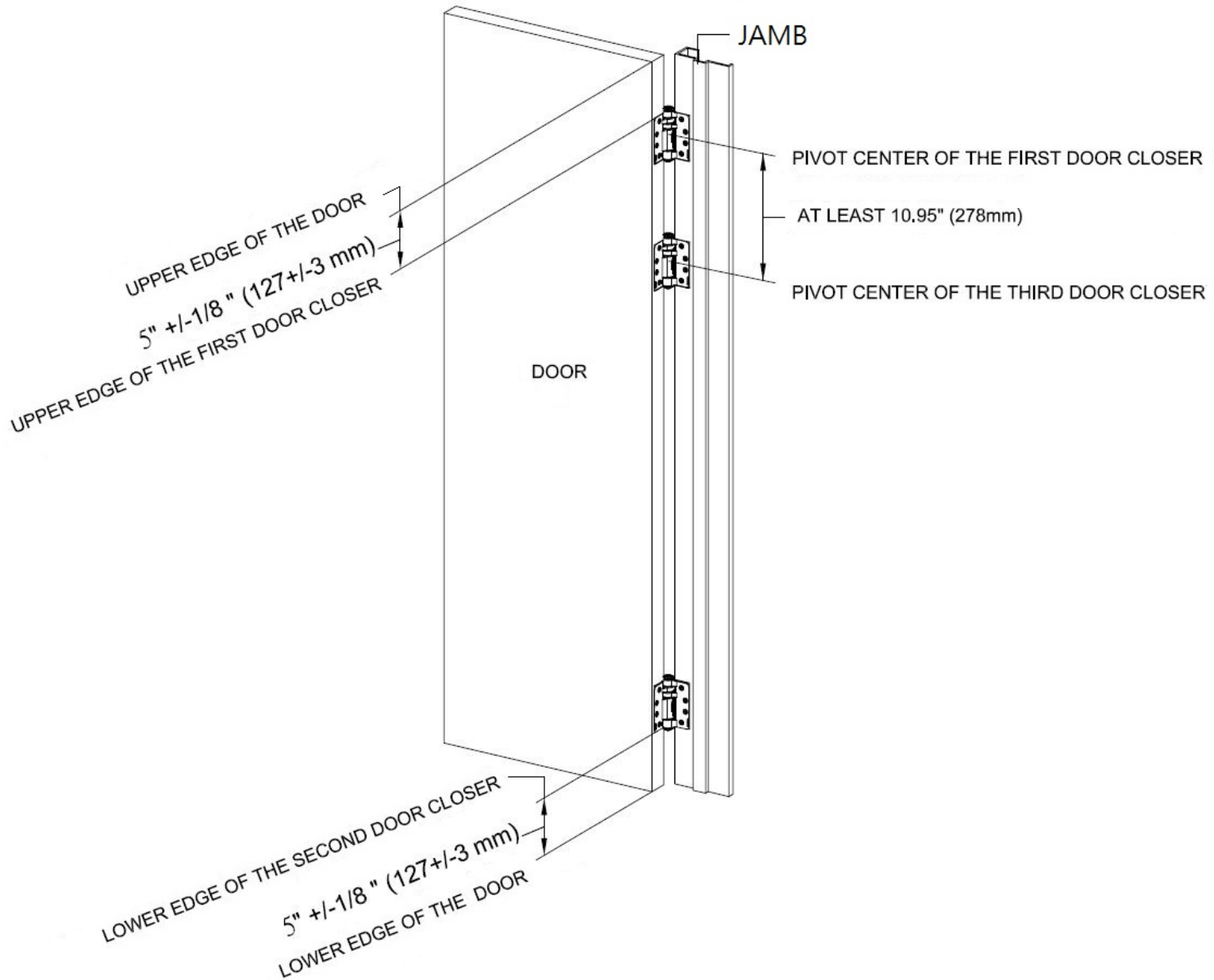
Comparison Chart of Waterson Mechanical & Hydraulic Type

Waterson Auto Door-Closer hinge	Mechanical Type	Hydraulic Type
Closing Style	Smooth, with average closing speed	Smooth, with a distinct speed buffering zone in the last phase of closing
Wind/Slam Resistant	No	Yes
Need of Maintenance	No	No
Combination of Uses (in the case of 3 pcs/set)	3 mechanical hinges	2 mechanical hinges 1 hydraulic hinge
Speed Adjustment	Yes	Yes
Demo Video	https://www.youtube.com/watch?v=MZdexp_Bzqs	

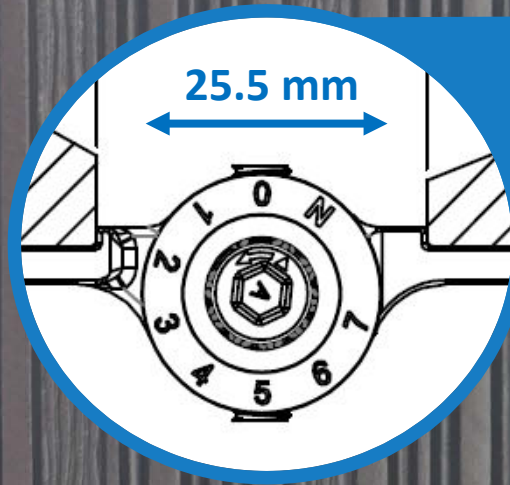
To keep the door from warping, install reinforcement plate for relatively flexible/soft door and frame.



Installation Guide for Wooden & Metal Door



Save a little space for me!



PACKAGING INFORMATION

ITEM NO.	lbs/PCS (Accessories included)	QTY			N.W. (lbs)/ CTN.	G.W. (lbs)/ CTN.	CARTON SIZE (Inch)			
		PCS/ BOX	PCS/ CTN.	BOX/ CTN.			W	H	L	CUFT
K51M-450	1.52	3	24	8	36.50	40.92	10	6	12	0.46
K51M-640	2.02	3	24	8	48.48	52.90	10	6	12	0.46
K51M-645	2.16	3	24	8	51.84	56.26	10	6	12	0.46
K51M-650	2.26	3	24	8	54.24	58.66	10	6	12	0.46
K51M-655	2.40	3	24	8	57.60	62.02	10	6	12	0.46
K51M-660	2.62	3	24	8	62.88	67.3	10	6	12	0.46

Installation Example Fire-rated Door



Installation Example Glass Door with Metal Frame



BEFORE



AFTER



