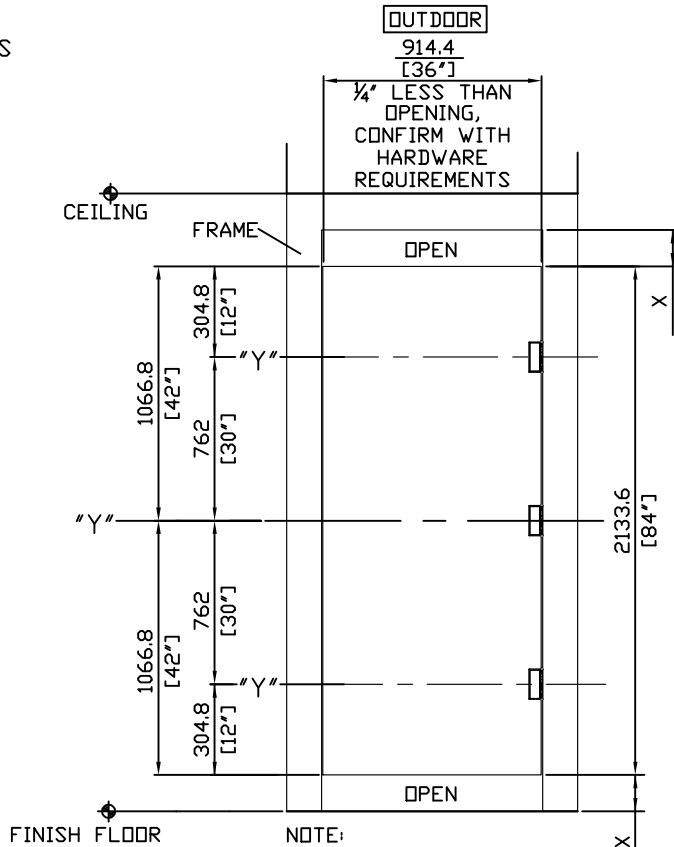
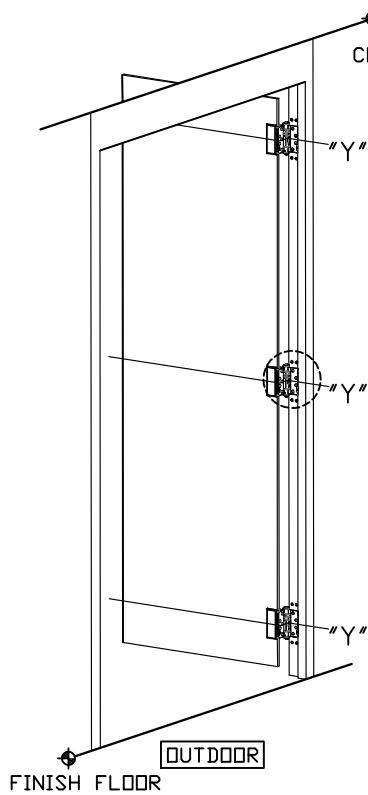
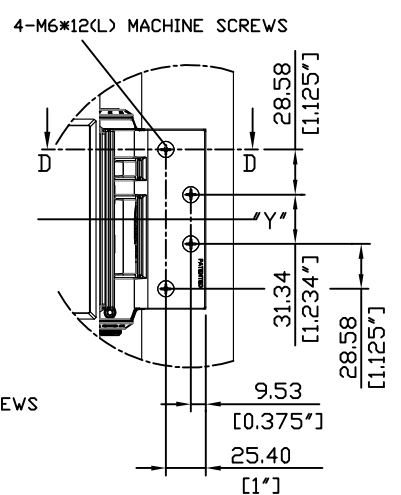
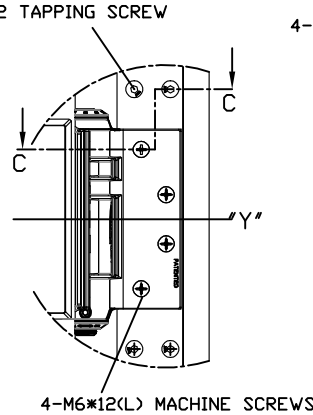
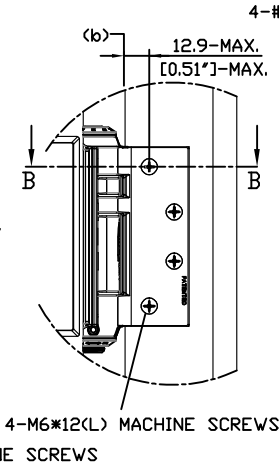
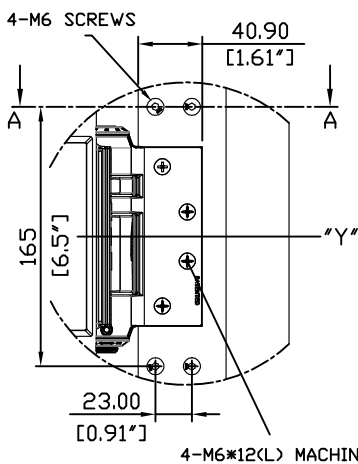
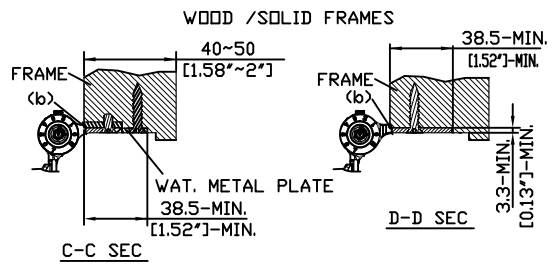
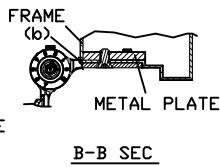
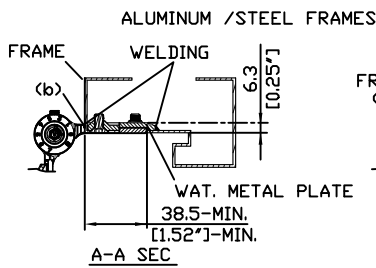
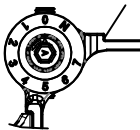


**K51GM-02-90°** (GLASS TO FRAME)  
 DOOR CLOSER HINGE  
 POSITION FOR K51GM HINGES



(b): BASE LINE



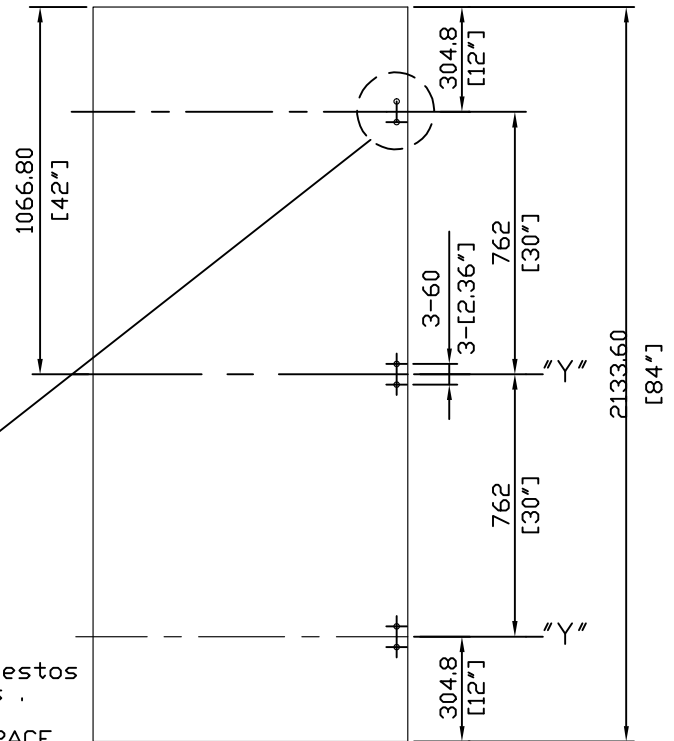
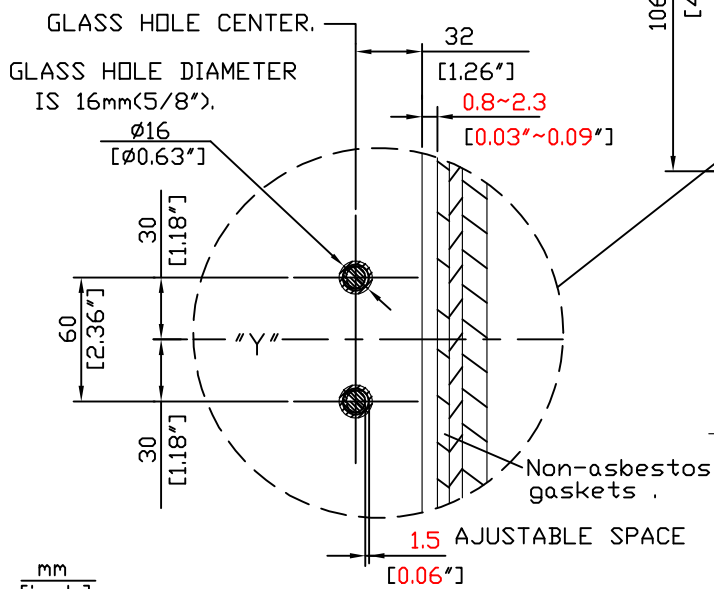
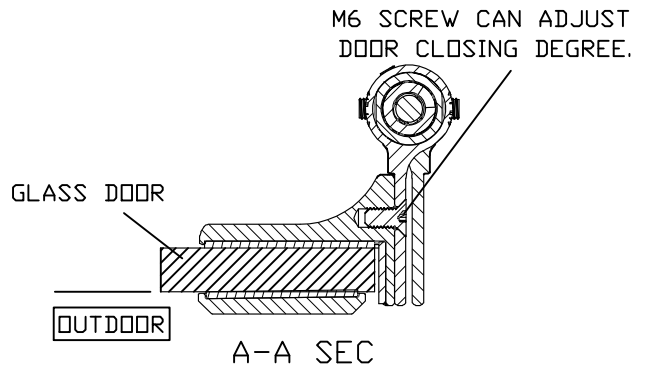
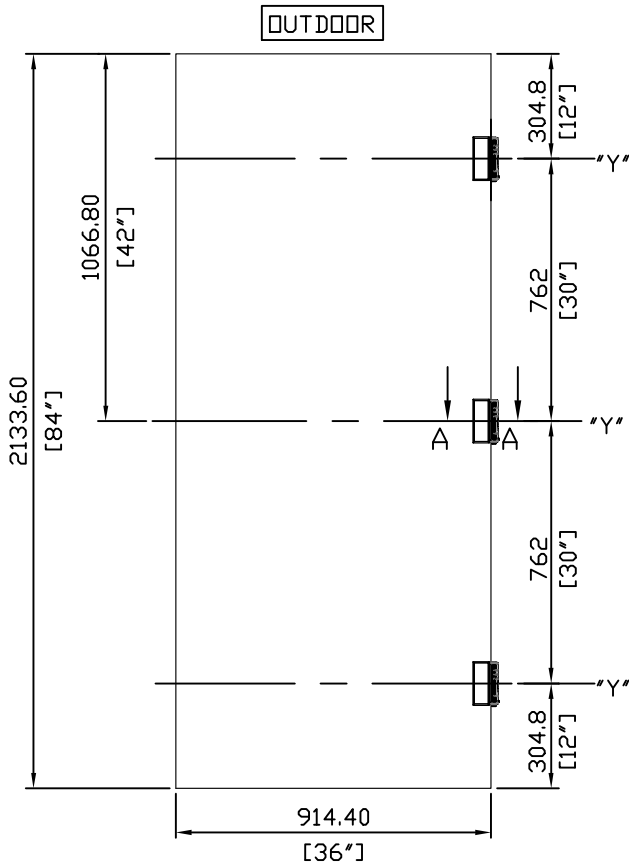
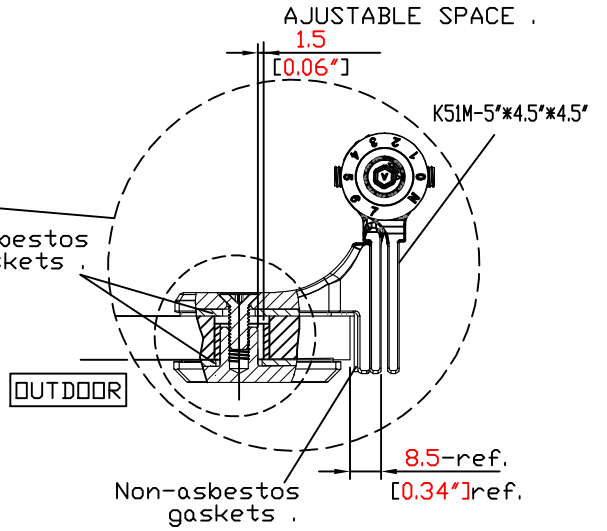
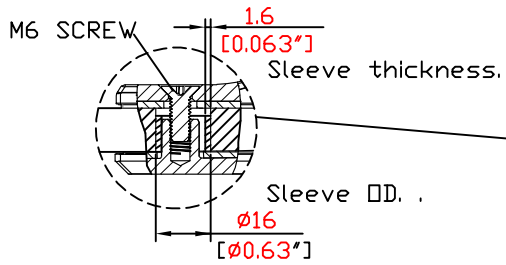
mm  
[inch]



3in1 Auto Door-Closer Hinge  
 Hinge@waterson.com

NAME:  
 Assembling K51GM-02 hinge with glass door and frame

**K51GM-02-90°** (GLASS TO FRAME)  
 DOOR CLOSER HINGE  
 POSITION FOR K51GM HINGES



mm  
[inch]



3in1 Auto Door-Closer Hinge  
 Hinge@waterson.com

NAME:  
 K51GM-02- Glass door dimensions

Glass door thickness:  
 8~12 mm (5/16"~1/2")