



Aluminum Self-closing Hinge

Interior door/Lightweight door/Aluminum door

W41K / W41M

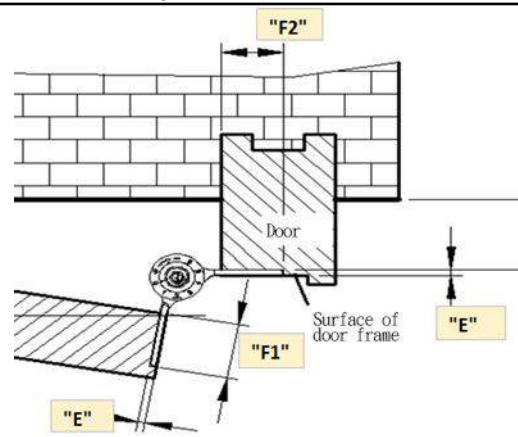


Looking for hinge replacement?
Waterson Self-closing Hinge makes your door as good as new!

Hinge models

Model	Full Name	Door Thickness	Mortise width on door F1 (min.)	Mortise width on frame F2 (min.)	Mortise depth E (min.)	Gap btw. Door and frame when closed
W41K	Self-closing-Aluminum Flush hinge-Non mortise	40~50 mm Retrofit	Non mortise	Non mortise	Non mortise	3.5~5 mm
	Self-closing-Aluminum Flush hinge-Mortise on frame	40~50 mm	Non mortise	38.5 mm	3.5~5 mm	< 1.5 mm
W41M~435 4*3.5" (H*W)	Self-closing-Aluminum Mortise hinge-4*3.5"	30~40 mm	26.5 mm	26.5 mm	3.3 mm	1.2~1.9 mm
W41M~400 4*4" (H*W)	Self-closing-Aluminum Mortise hinge-4*4"	40~45 mm	33.5 mm	33.5 mm		
W41M~450 4.5*4.5" (H*W)	Self-closing-Aluminum Mortise hinge-4.5*4.5"	45~50 mm	38.5 mm	38.5 mm		

** For non-mortise installation, preserve at least 8.5 mm gap between door and frame.





S (Spring Power)



H (Hydraulic Buffer)



S (Spring Power)



A1.A (Mechanical Buffer)
B (Hold-Open)

Models for Waterson Aluminum Self-closing hinge

Top	Function	Bottom	Function	Type for order	Mechanism
S	Spring power (provide door closing power)	S	Spring power (provide door closing power)	SS	Spring power + Spring power
H	Hydraulic Buffer	A	Control closing speed in 20°-90°	HA	Hydraulic Buffer + Mechanical buffer
H	Hydraulic Buffer	B	Hold-open in 90°+/-5°	HB	Hydraulic Buffer + Hold-open

Hinge combination and positions

SS (Spring power)

Hold open at 90°

For interior door <75kg
Door height ≤ 220 cm
Door width ≤ 120 cm

HB (Hydraulic buffer
+Hold open)

SS (Spring power)

**Self-closing without
hold open**

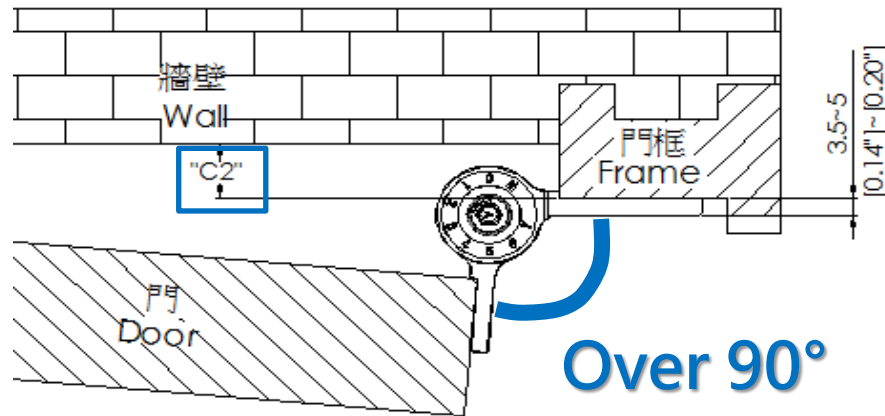
For interior door <75kg
Door height ≤ 220 cm
Door width ≤ 120 cm

HA (Hydraulic buffer
+Mechanical buffer)

Hold-open at 90° +/- 5°

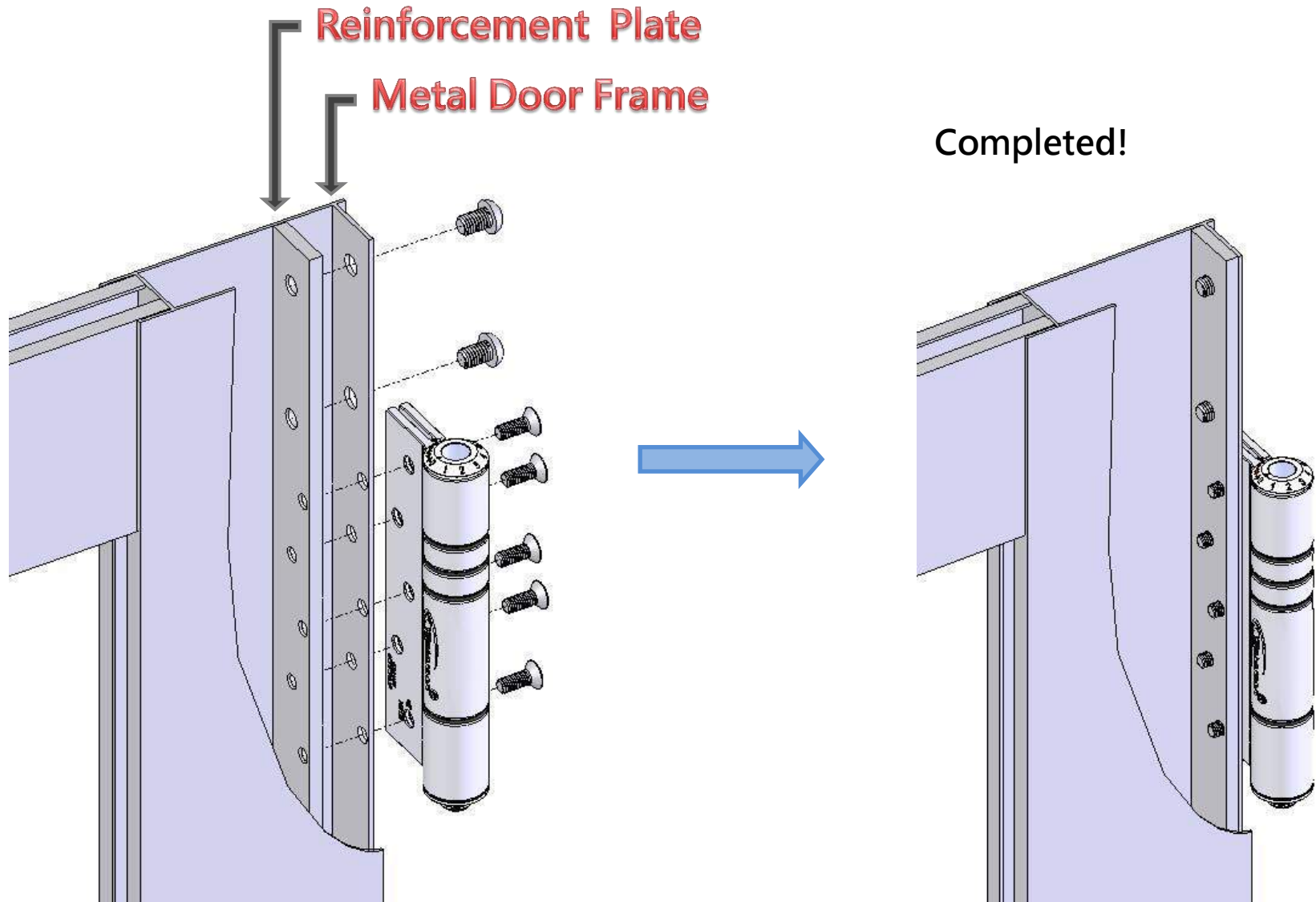
(Tips for activating Hold open of Type-B hinge)

To activate hold open function, make sure opening angle is over 90°

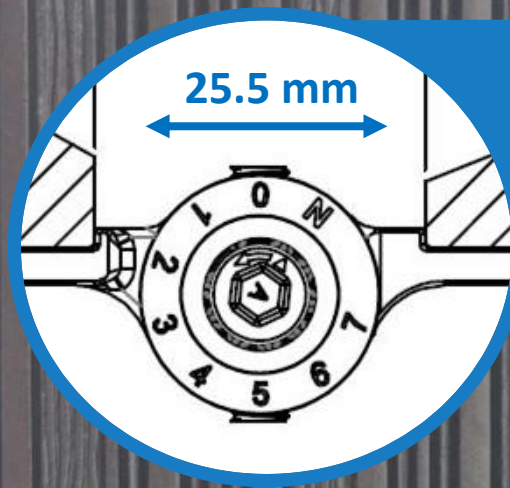


Hold open in 85~90°			
Minimum space between surface of door frame and wall (C2) mm			
Door width 900mm	Door width 1000mm	Door width 1100mm	Door width 1200mm
61	70	79	87

To keep the door from warping, install reinforcement plate for relatively flexible/soft door and frame.



Save a little room for me



BEFORE



Also fitting for hinge replacement!



AFTER

