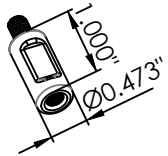
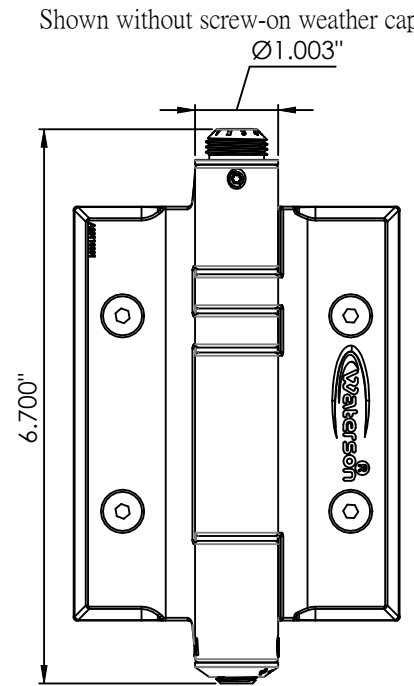
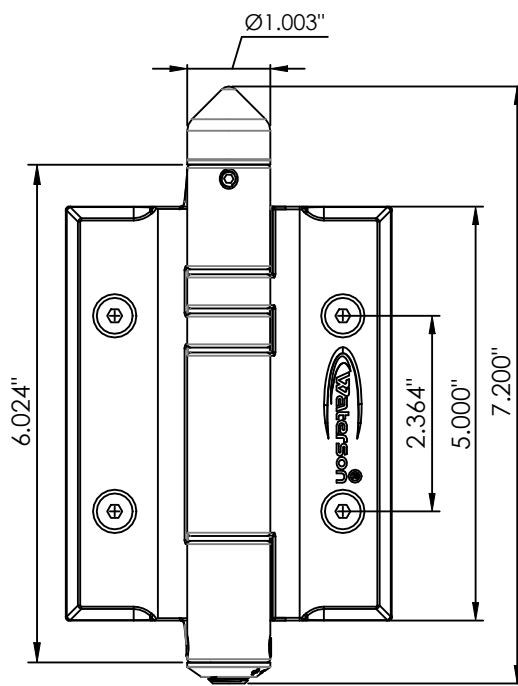
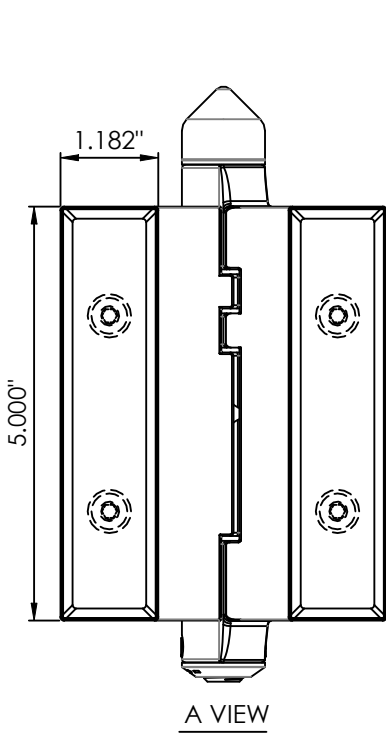
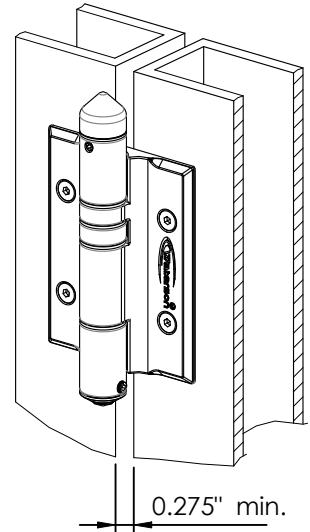
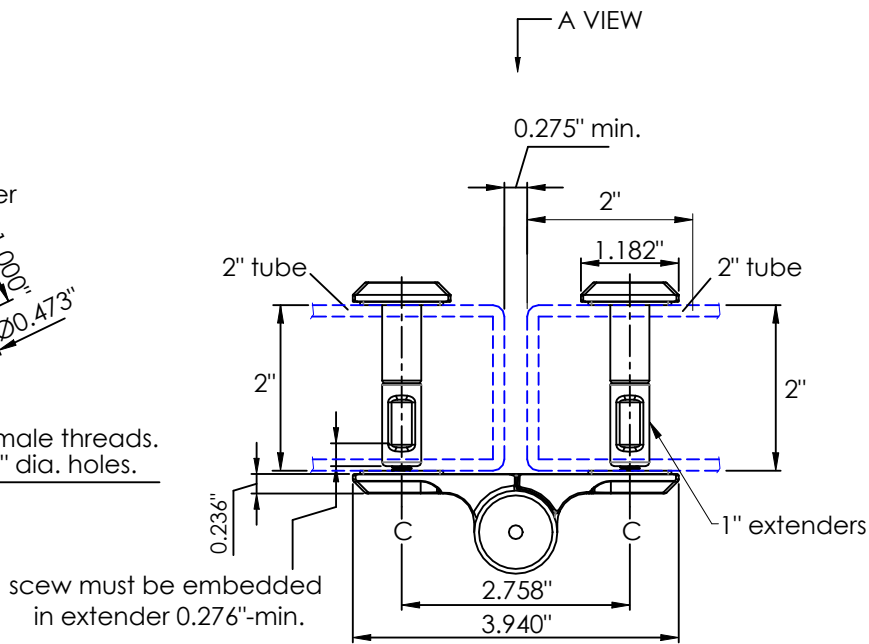


Extender



M6 x M6 male and female threads. Use with 9/16" dia. holes.



Shown without screw-on weather cap.

Inch

SCREW TYPE	SPEC
Hex Drive Flat - Head Screws	M6-P1x0.630" L
REV. DATE	2024-AUG-30



Waterson Closer Hinge System
hinges@watersonusa.com

NAME:
Waterson Surface - Mounted Closer Hinge

MATERIAL : Stainless Steel
304 Standard, 316 Optional

—	HINGE LEAF SIZE : 5" x 4"	STANDARD : —
MODEL NO.: 540161	SERIES : K51P	TUBING SIZE : 2" tube. x 2" tube