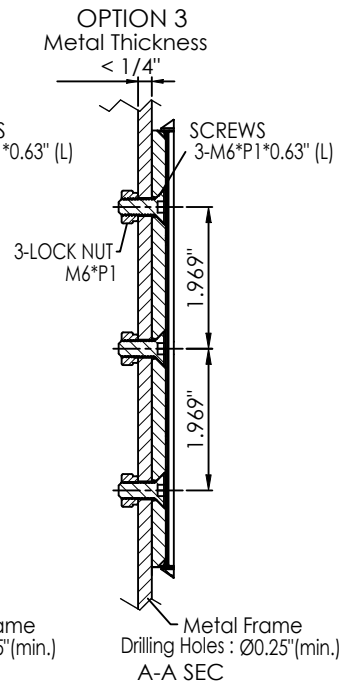
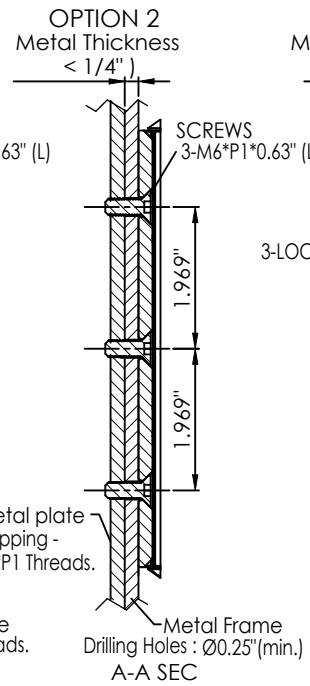
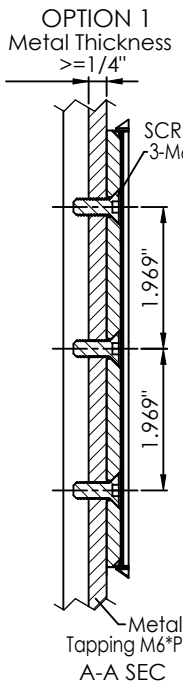
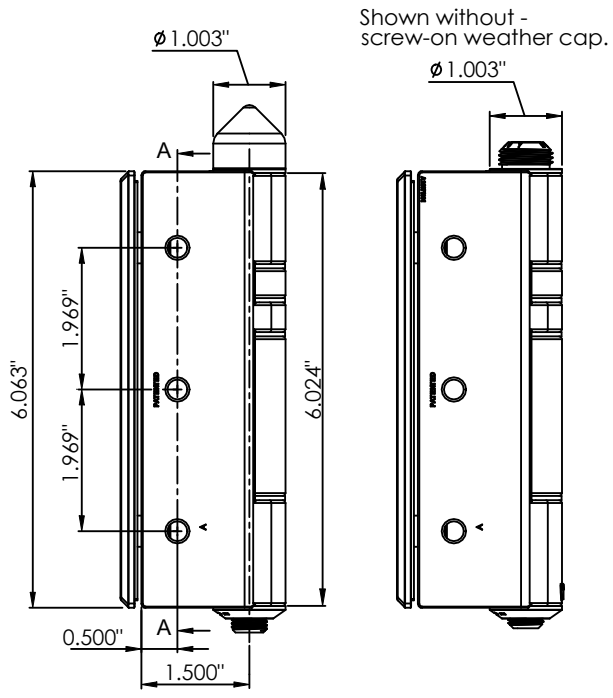
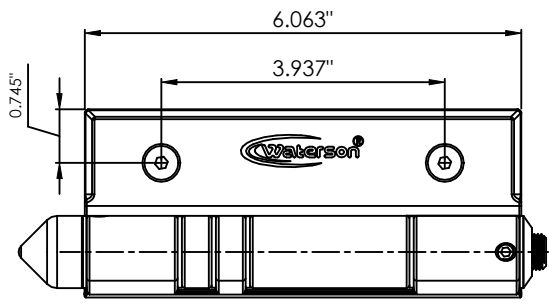
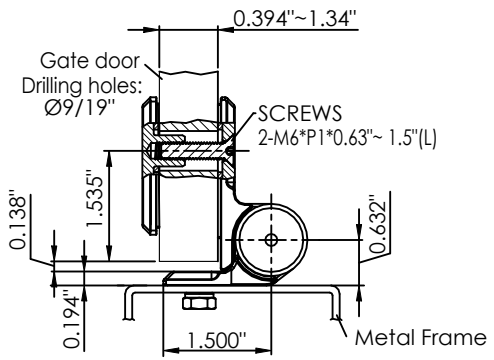
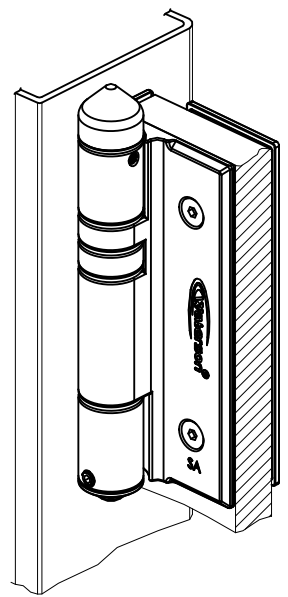


M6 x M6
male and female threads.
Use with 14mm(9/16") dia. holes.



Inch
mm

REV. DATE 2024-AUG-15

Waterson®
Waterson Closer Hinge System
hinges@watersonusa.com

NAME:
Waterson Side - Mounted Closer Hinge

MATERIAL : Stainless Steel
304 Standard, 316 Optional

HINGE LEAF SIZE :
6"(H) x 5"(W)

STANDARD : —

MODEL NO.:
600151

SERIES :
K51WP

—