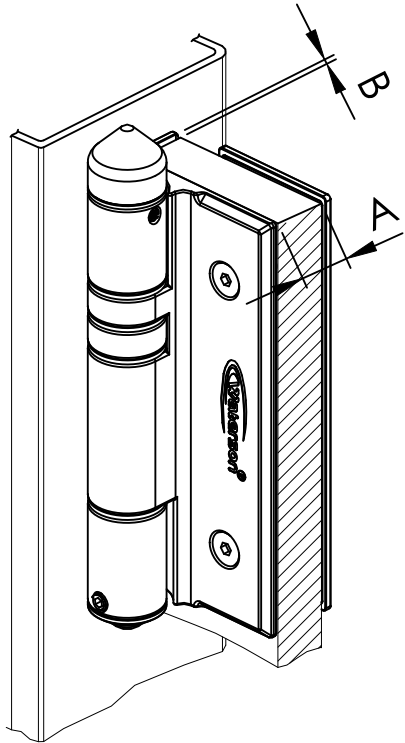


B: *More than 3.5 mm can be used*

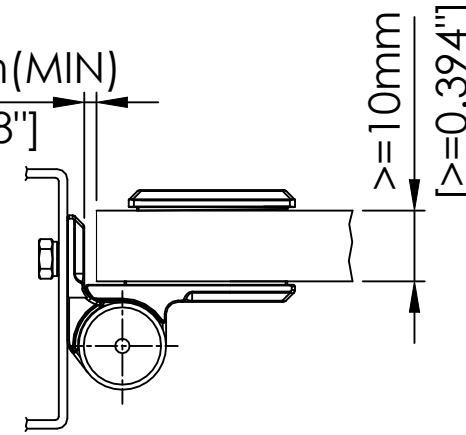
A: *Available in ≥ 0.394 "*

($\geq 10\text{mm}$)

Diameter of Holes Trough Gate Door : $14\text{mm}(9/16)$ "



$3.50\text{mm}(\text{MIN})$
[0.138"]



$\text{Ø}25.5\text{mm}$
[Ø1"]

